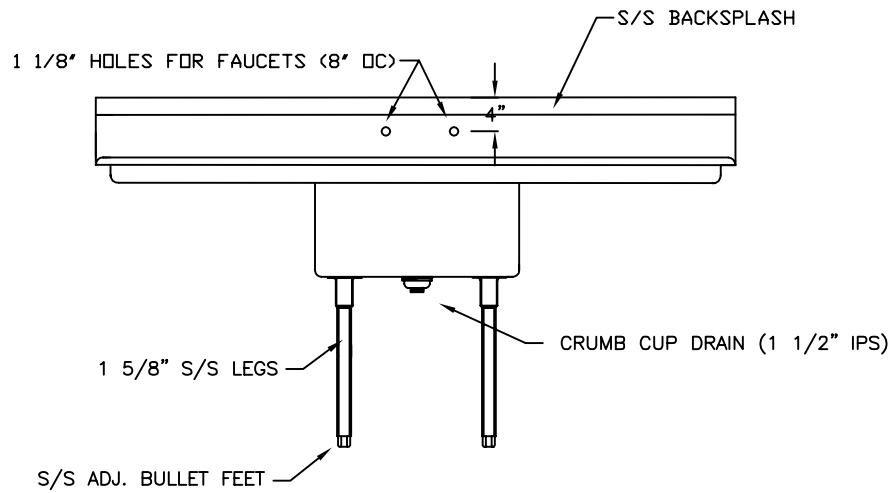


1 3/4" ROLLED EDGE FRONT & ENDS

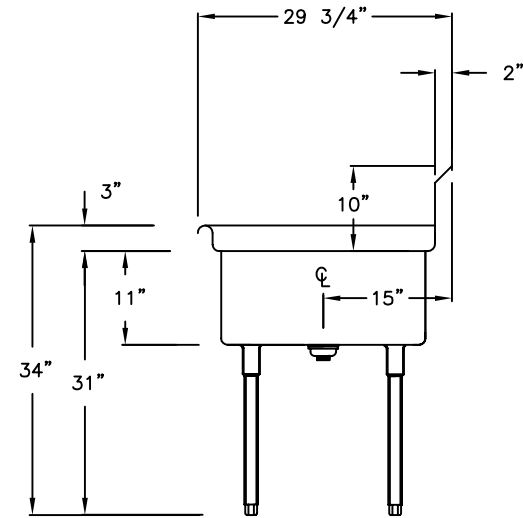
PLAN VIEW

### GENERAL SPECIFICATIONS

- \* 16 GAUGE 304 STAINLESS STEEL FABRICATION
- \* FULLY WELDED, SEAMLESS & POLISHED TO A UNIFORM FINISH
- \* HORIZONTAL & VERTICAL CORNERS COVED TO A 3/4" RADIUS
- \* DIE FORMED DEPRESSION TO DRAIN IN BOWL BOTTOM
- \* ONE-PIECE STAINLESS STEEL FRONT PANEL
- \* 3" HIGH X 1 3/4" ROLLED RIMS WITH RADIUSED FRONT CORNERS
- \* PITCHED DRAIN BOARDS



FRONT ELEVATION



SECTION



MODEL #C-1-2424-24D STAINLESS STEEL SINK		
DRN BY	CHJ/AC	DWG.# C-1-2424-24D
DATE	9.16.02	
SCALE		