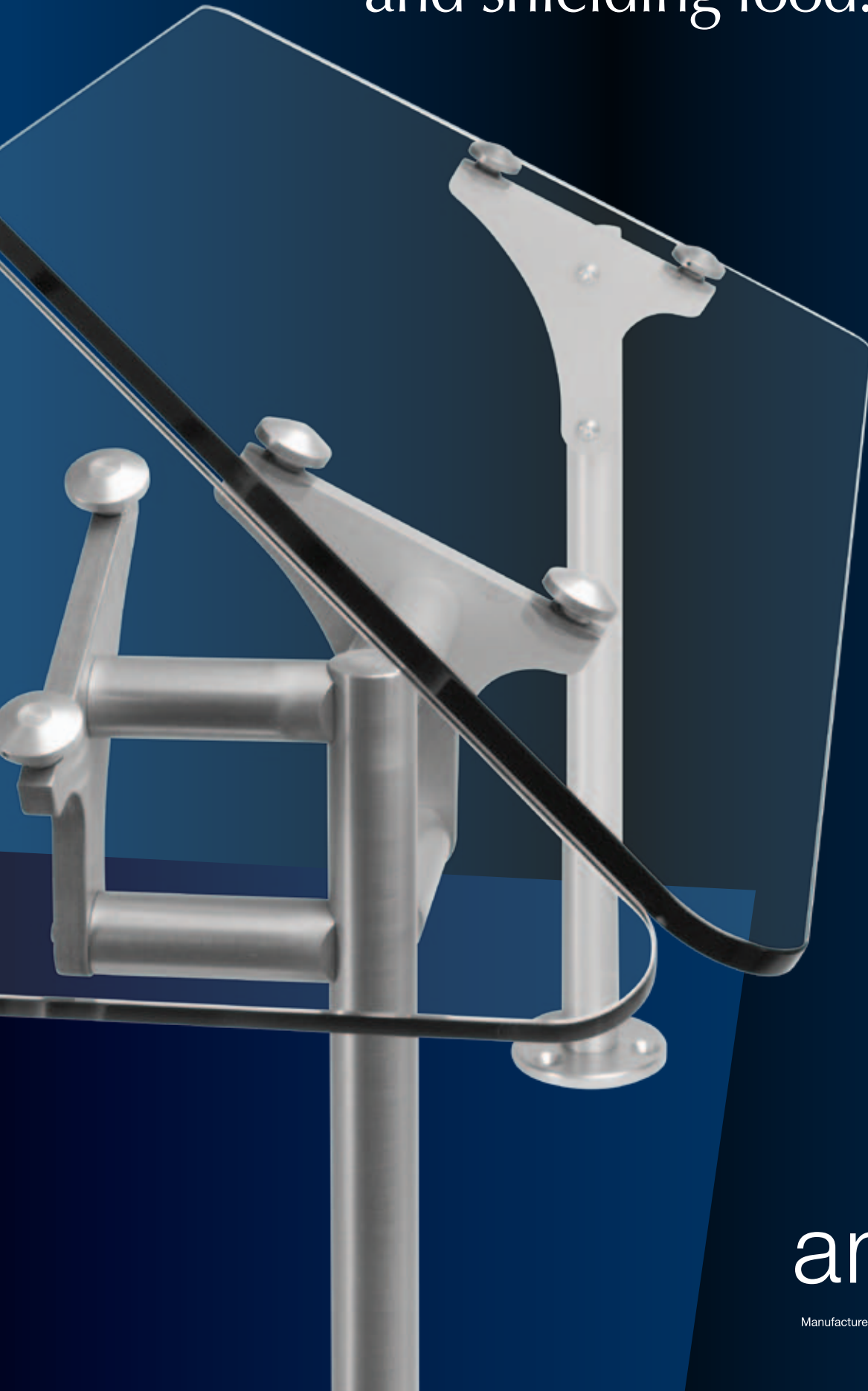


The clear choice for enhancing
and shielding food.



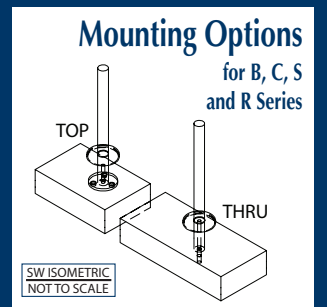
amtekco

❖ A Wasserstrom Company

Manufacturers of Quality Products for the Food Marketing Industry

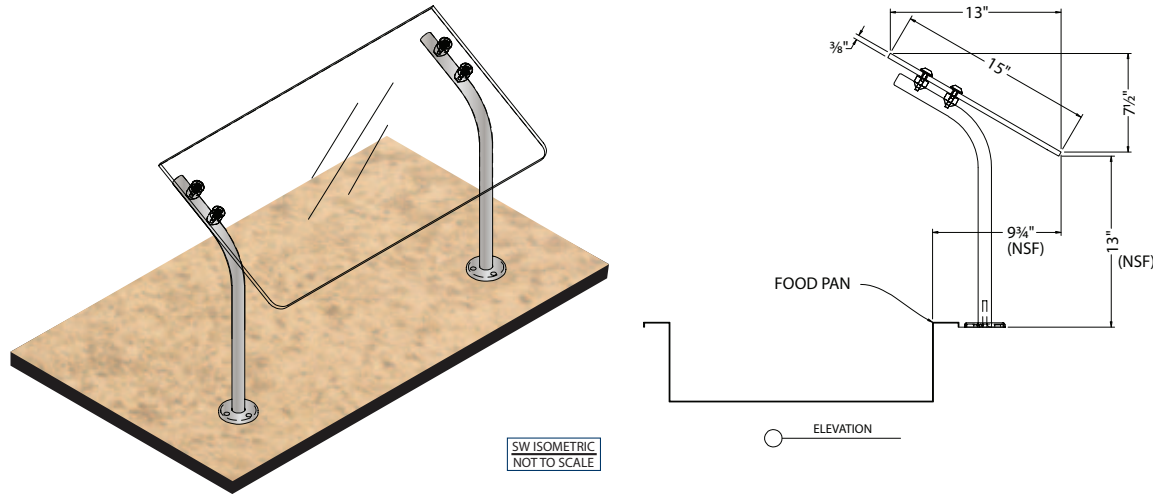
Stylish, functional, flexible and durable.

Sneeze guards from Amtekco go well beyond just shielding food. They are stylish in their design, functional in their performance, flexible in their engineering and durable in their construction. Choose from a wide selection of models or customize one to fit your unique needs. When it comes to the clear choice for enhancing and shielding food, you can trust the leader in the food merchandising industry – Amtekco.



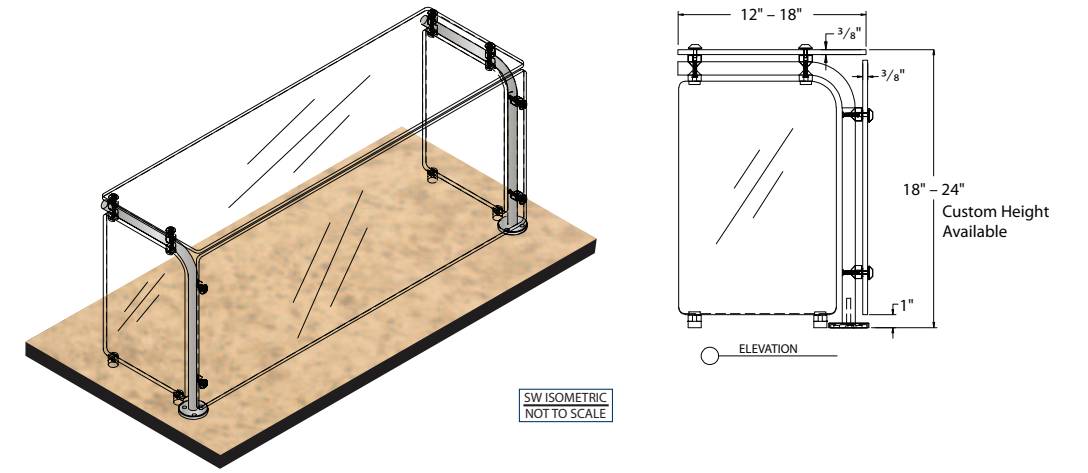
B Series

- 1" Solid Aluminum Rod
- Clear Anodized Finish Standard
- Choices of Other Colors Available
- Clear Tempered Edge – Polished Glass
- Top Mount or Thru Mounting
- 60" Max Length Before Center Support is Needed



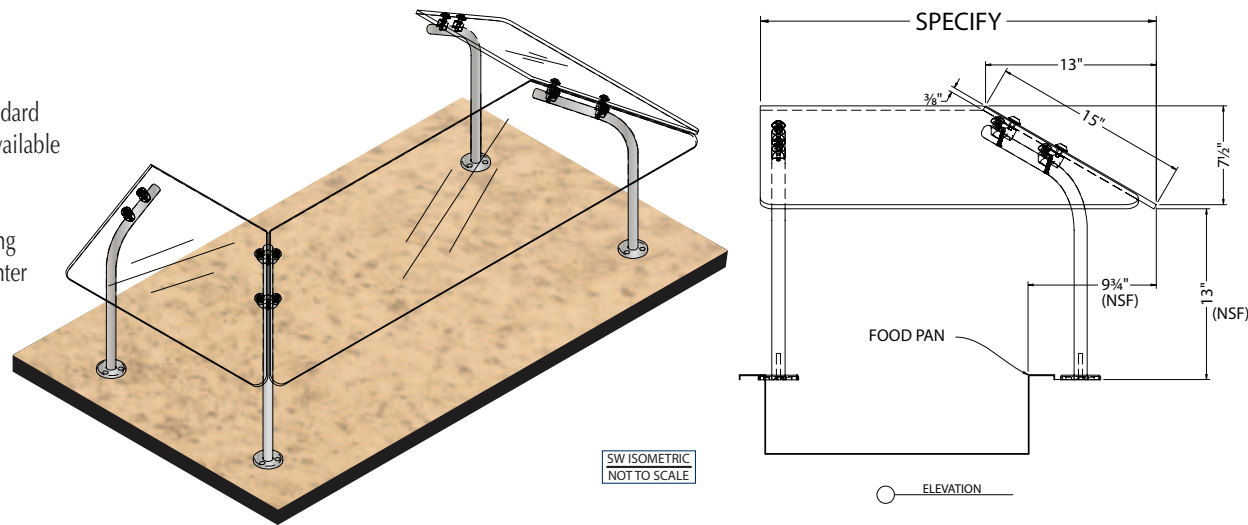
Standard R Series

- 1" Solid Aluminum Rod
- Clear Anodized Finish Standard
- Choices of Other Colors Available
- Clear Tempered Edge – Polished Glass
- Top Mount or Thru Mounting
- Optional Heat Lamp and Lighting



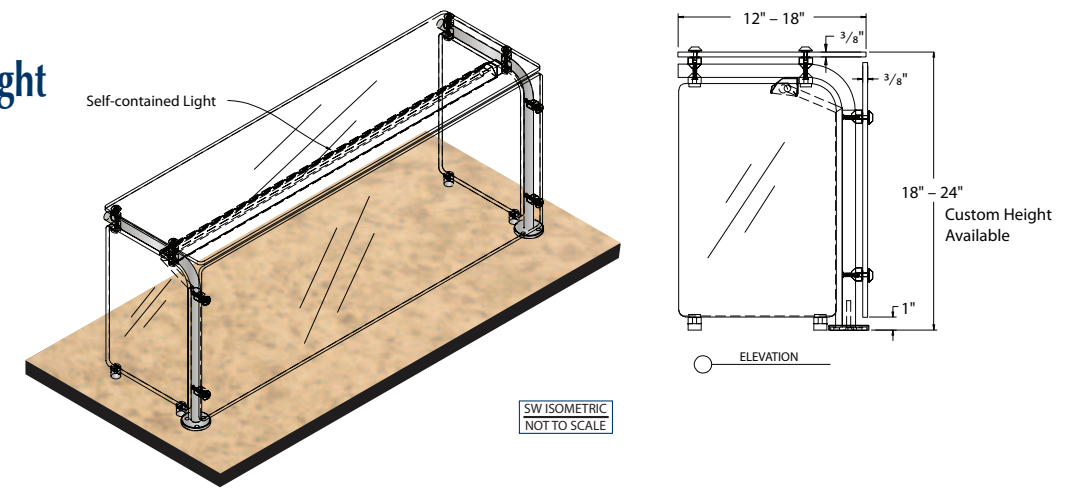
C Series

- 1" Solid Aluminum Rod
- Clear Anodized Finish Standard
- Choices of Other Colors Available
- Clear Tempered Edge – Polished Glass
- Top Mount or Thru Mounting
- 60" Max Length Before Center Support is Needed



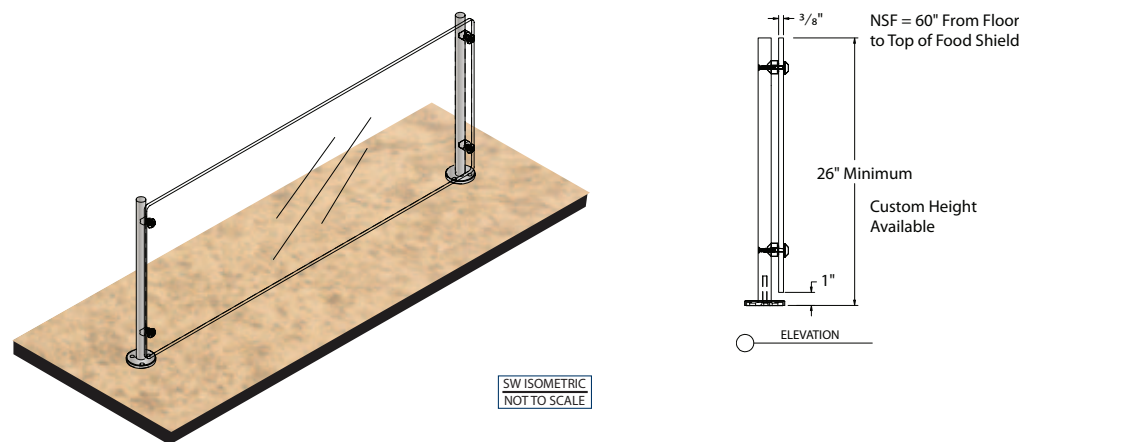
Standard R Series – All Glass with Optional Light

- 1" Solid Aluminum Rod
- Clear Anodized Finish Standard
- Choices of Other Colors Available
- Clear Tempered Edge – Polished Glass
- Top Mount or Thru Mounting
- Optional Heat Lamp and Lighting
- 60" Max Length Before Center Support is Needed



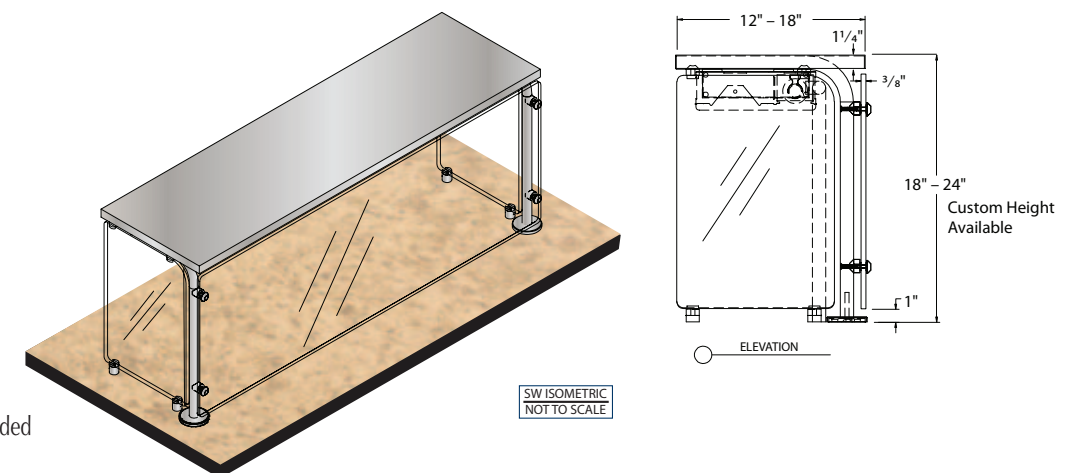
S Series

- 1" Solid Aluminum Rod
- Clear Anodized Finish Standard
- Choices of Other Colors Available
- Clear Tempered Edge – Polished Glass
- Top Mount or Thru Mounting
- 60" Max Length Before Center Support is Needed



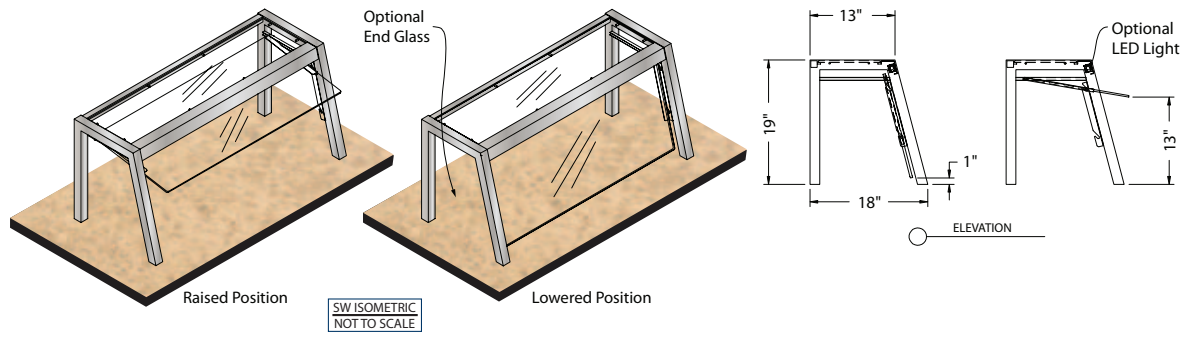
Standard R Series with Stainless Steel Top, Heat Lamp and Optional Light

- 1" Solid Aluminum Rod
- Clear Anodized Finish Standard
- Choices of Other Colors Available
- Clear Tempered Edge – Polished Glass
- Top Mount or Thru Mounting
- Optional Heat Lamp and Lighting
- 60" Max Length Before Center Support is Needed



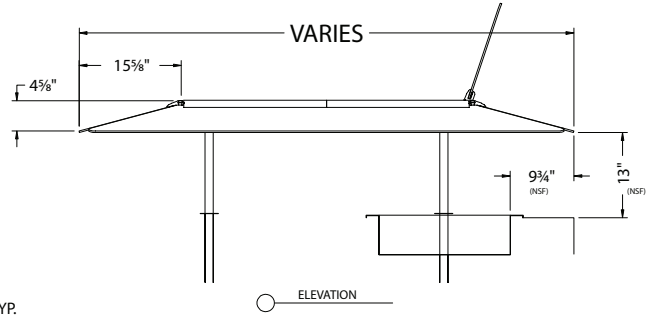
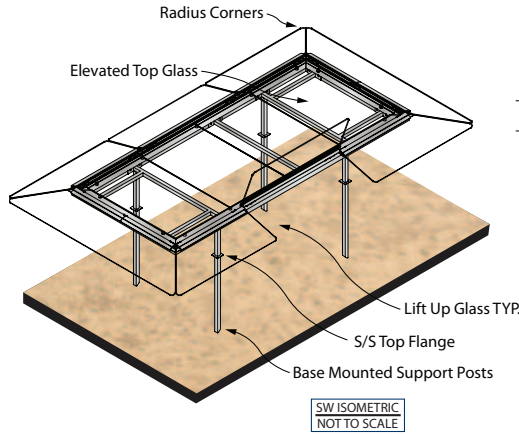
GRDR Series

- 1 1/2" Tubing Construction
- Powder Coated or Stainless Steel Finish
- Optional Lighting Available
- Clear Tempered Edge – Polished Glass
- Top Mount or Thru Mounting
- 48" Max Length



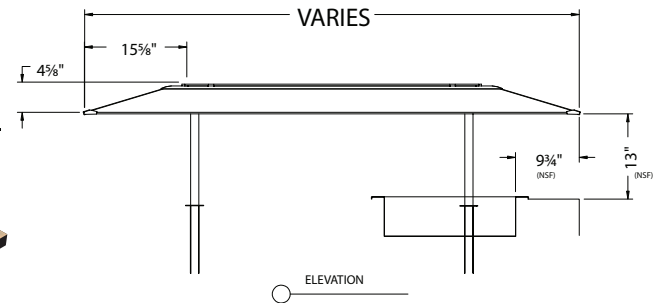
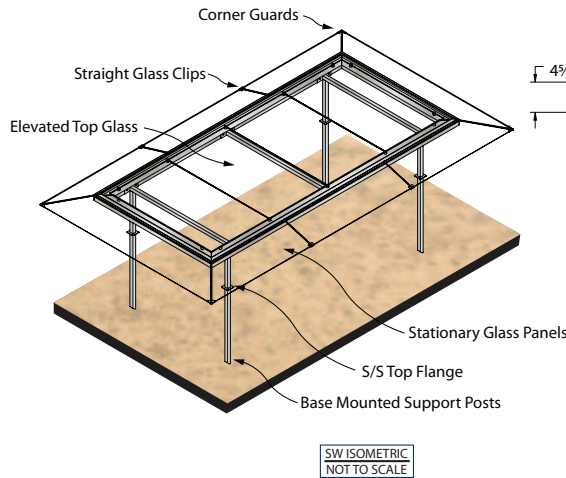
Lift Up Series

- Tubular S/S Supports
- Clear Anodized Finish Light Housing
- Choices of Other Colors Available
- Stationary Glass Panels
- Clear Tempered Edge – Polished Glass
- Elevated Top Glass for Venting
- Heat Lamp Options Available
- T5 Lights Standard – LED Optional



Frameless Series

- Tubular S/S/ Supports
- Clear Anodized Finish Light Housing
- Choices of Other Colors Available
- Stationary Glass Panels
- Clear Tempered Edge – Polished Glass
- Elevated Top Glass for Venting
- Heat Lamp Options Available
- T5 Lights Standard – LED Optional



Need something completely different?

If you don't see a style here that meets your needs, no problem. We have complete in-house design, engineering and manufacturing capabilities that enable us to create perfect custom solutions. For more information, please contact us at 1.800.336.4677.



amtekco

A Wasserstrom Company

Manufacturers of Quality Products for the Food Marketing Industry

