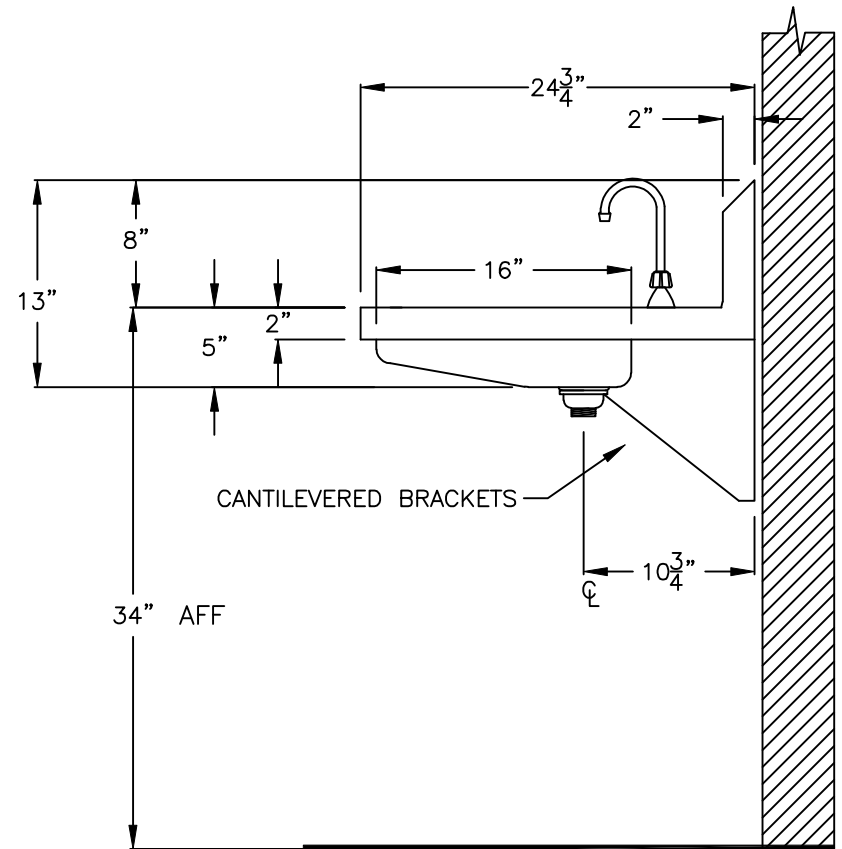
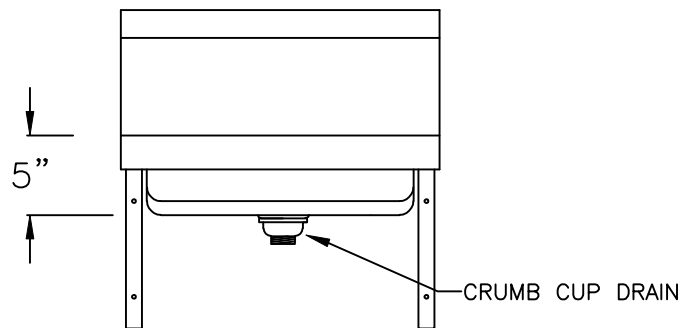


PLAN VIEW



SECTION



FRONT ELEVATION

SPECIFICATIONS	
18 GA. 304 STAINLESS STEEL CONSTRUCTION	

ACCESSORIES	
#B2865-06 W/ GOOSENECK SPOUT AND WRIST BLADE HANDLES	
CRUMB CUP DRAIN 1 1/2" NPS	
CANTILEVER & WALL MOUNT BRACKETS	

DH-23 HANDSINK		
Item Description: WALL MOUNT HANDSINK		
Sheet Description:		
Item #	Date: 2006	Engineer: RAH
Sales Order #	Drawing # MMS-2118-00-19	Sheet #
MMS-1090		

Amtekco
INDUSTRIES, INC.

MANUFACTURERS OF QUALITY PRODUCTS FOR THE FOOD MARKETING INDUSTRY
1205 Regusse Road, Columbus, Ohio 43207
(614) 228-5590 Fax (614) 737-8016