

PURCHASED ITEMS

KEY	DESCRIPTION	QTY.	U/M	INV. CODE	VENDOR NAME	PART/MODEL NUMBER	PART TYPE
1	1/4"-20 HEX NUT SS W/PLASTIC	4	EA	BI	MISC	250-20_HEXNUT	PART
2	1/4"-20 X 1 1/2" STUD BOLT	4	EA	BI	MISC	1_4-20_STUD	PART

DROP IN: 16 GA. STN/STL ALL WELDED CONSTRUCTION w/ INTEGRAL SINK. ALL HORIZONTAL AND VERTICAL CORNERS TO BE A 3/4" RADIUS. CREASE DRAIN BOARD (3/16")

NOTES: ALL STN/STL TO BE TYPE 300 SERIES.
ALL STN/STL TO BE POLISHED TO A NO. 3 FINISH.
ALL UNEXPOSED WELDS TO BE COVERED w/ ALUMINUM PAINT.
ALL METAL EDGES AND CORNERS TO BE FILED SMOOTH.

STAMPED BOTTOM WITH CRUMB CUP OPENING

4.000

Ø1-1/8" FAUCET HOLES

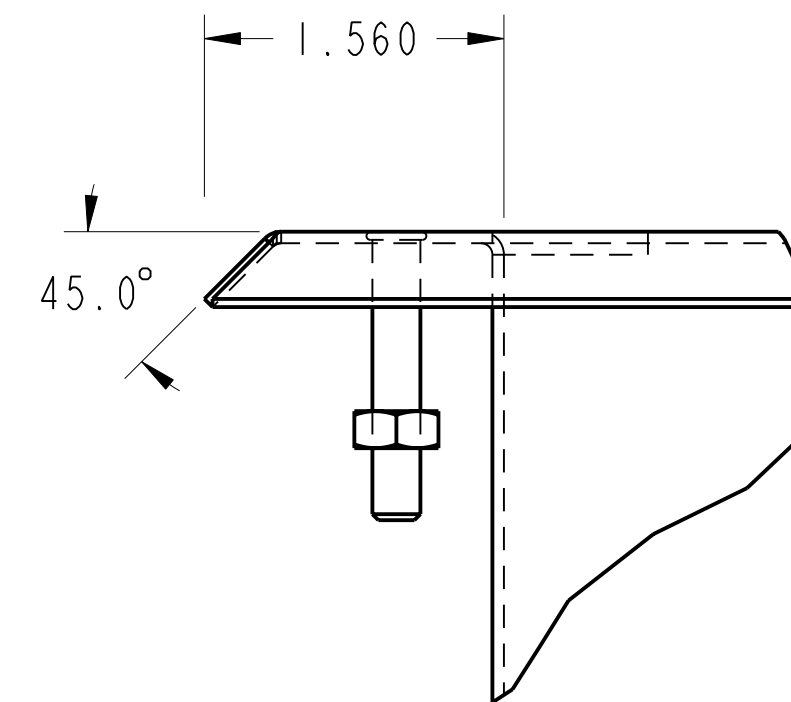
4.000

1.500

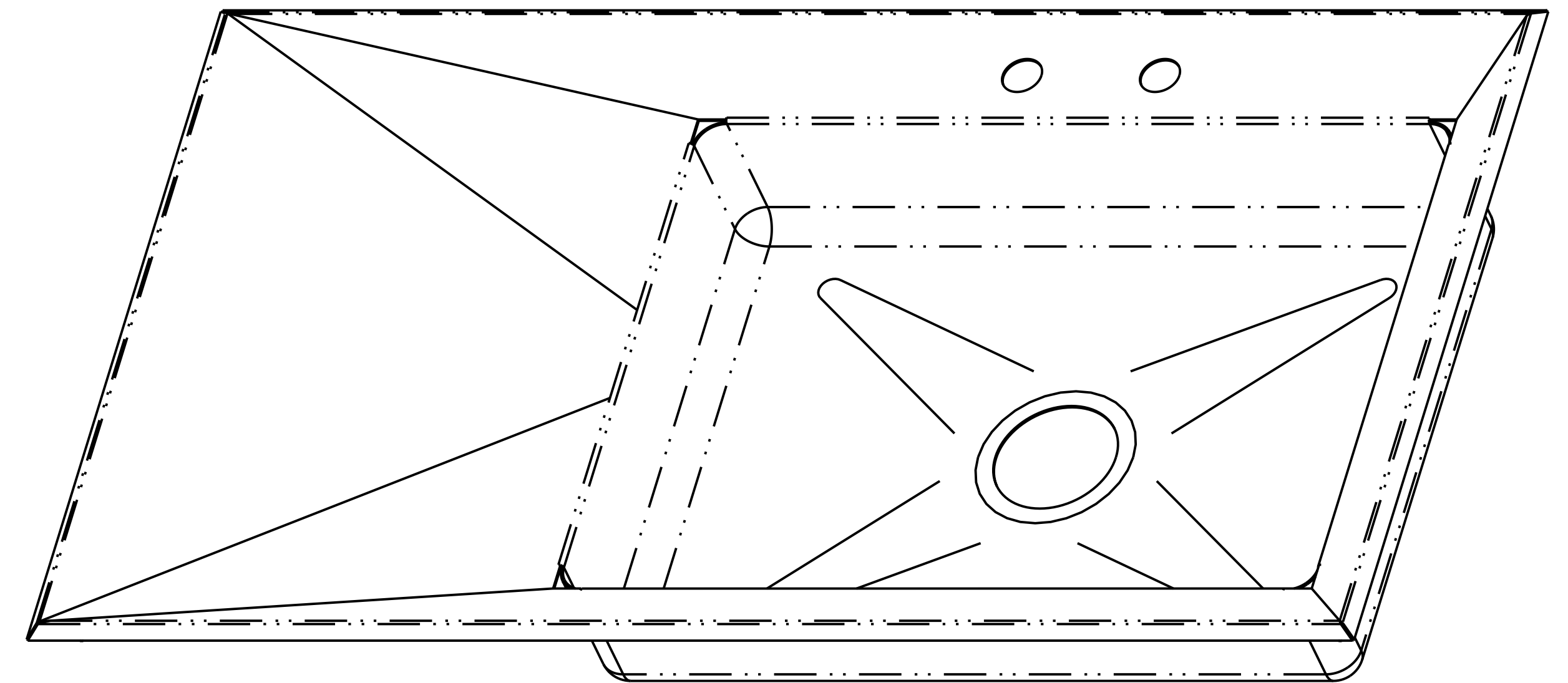
16.000

1.500

Ø3.500
DIE DEPRESSED



DETAIL A
SCALE 1.000



CREASE DRAINBOARD

15.000

22.000

1.500

38.500

21.500

4.500

1/4"-20 X 1 1/2" STUD

TIGHTENING NUT

16.000

22.000

NO.	DATE	REVISIONS	BY
ASSEM		DWD-1-2216-4_5-15L	



PRO

THIS DRAWING IS THE PROPERTY OF AMTEKCO INDUSTRIES, INC., AND IS TO REMAIN IN THE POSSESSION OF OUR REPRESENTATIVE UNLESS PERMISSION IS GIVEN BY AMTEKCO INDUSTRIES, INC., AND MUST BE RETURNED WHEN REQUESTED.

AMTEKCO INDUSTRIES, INC.

MANUFACTURERS OF QUALITY PRODUCTS FOR
THE FOOD MARKETING INDUSTRY
1205 REFUGEE ROAD COLUMBUS, OHIO 43207
(614)228-6590 Fax (614)737-8016

AMTEKCO INDUSTRIES

DROP-IN SINK W/DRAINBOARD (DWD-1-2216-4.5-15L)

APPROVED BY

CKD BY

DATE 27-Sep-06

SCALE 0:313

DATE

CODE

DRAWING No. BALAJI

REV. 1 of 1

PART/SHEET

DWD-1-2216-4.5-15L