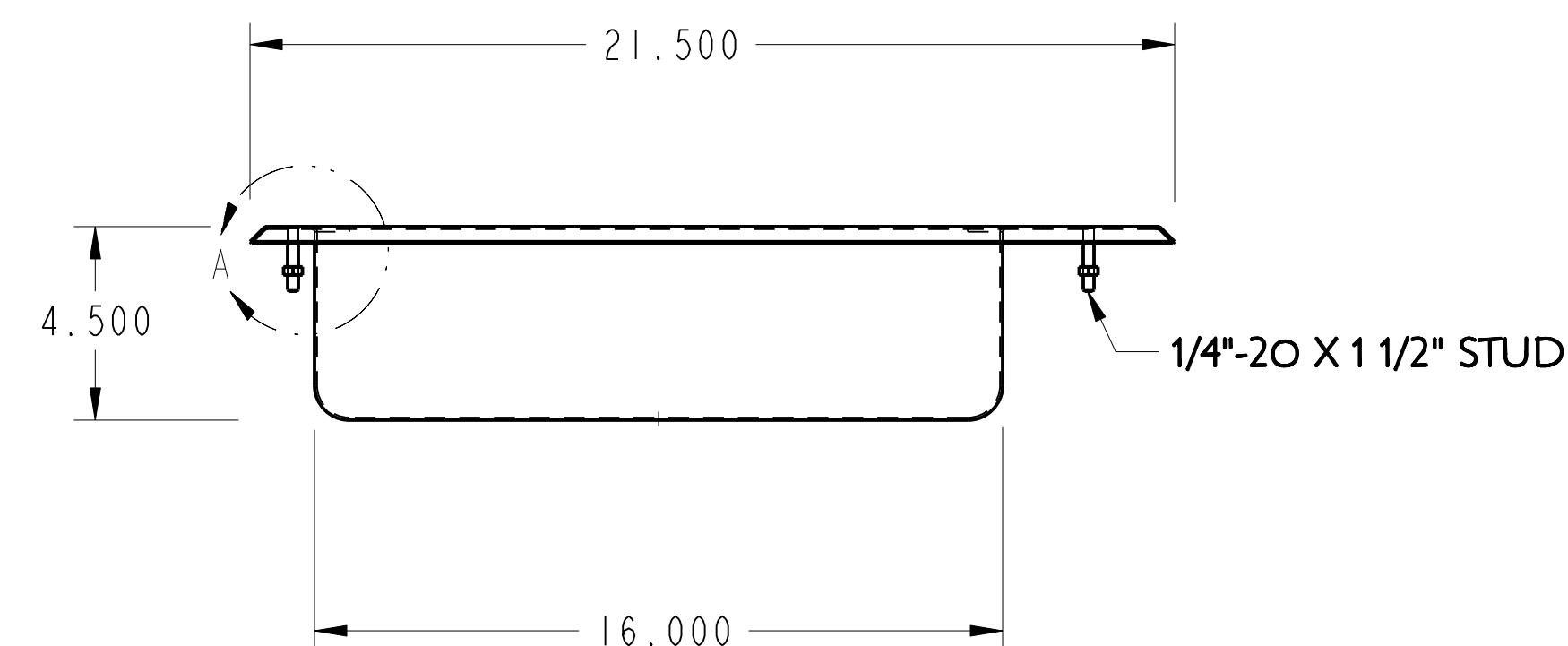
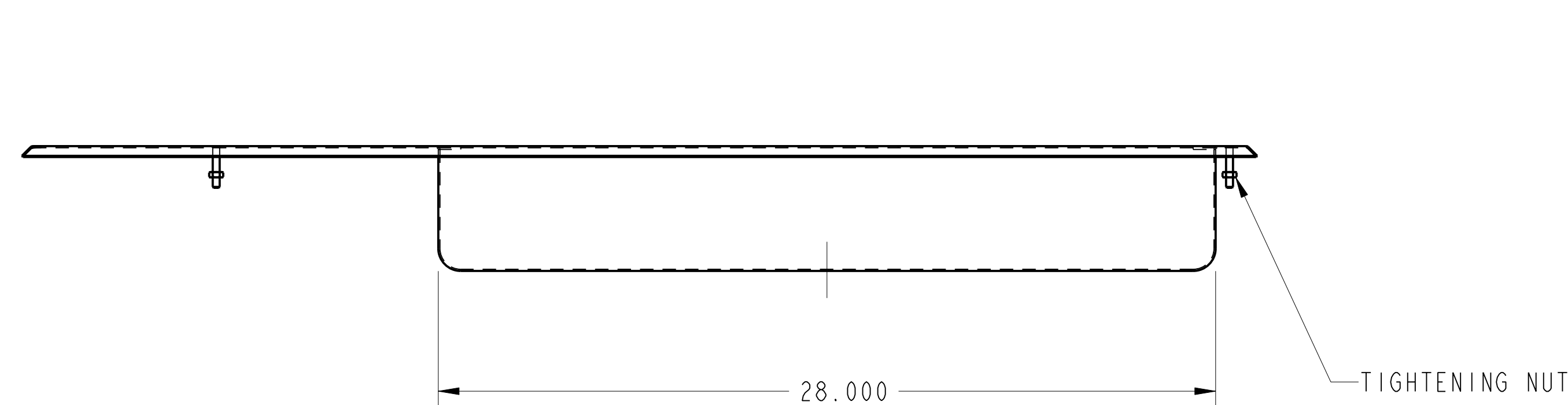
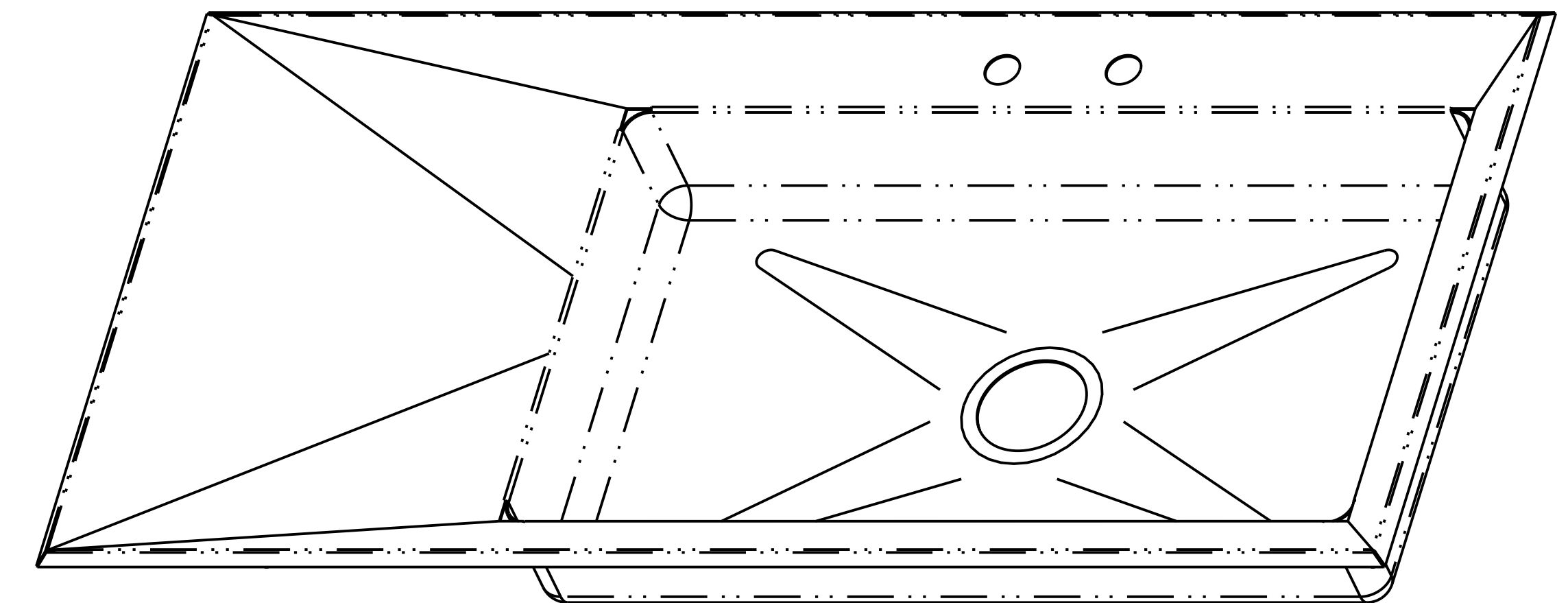
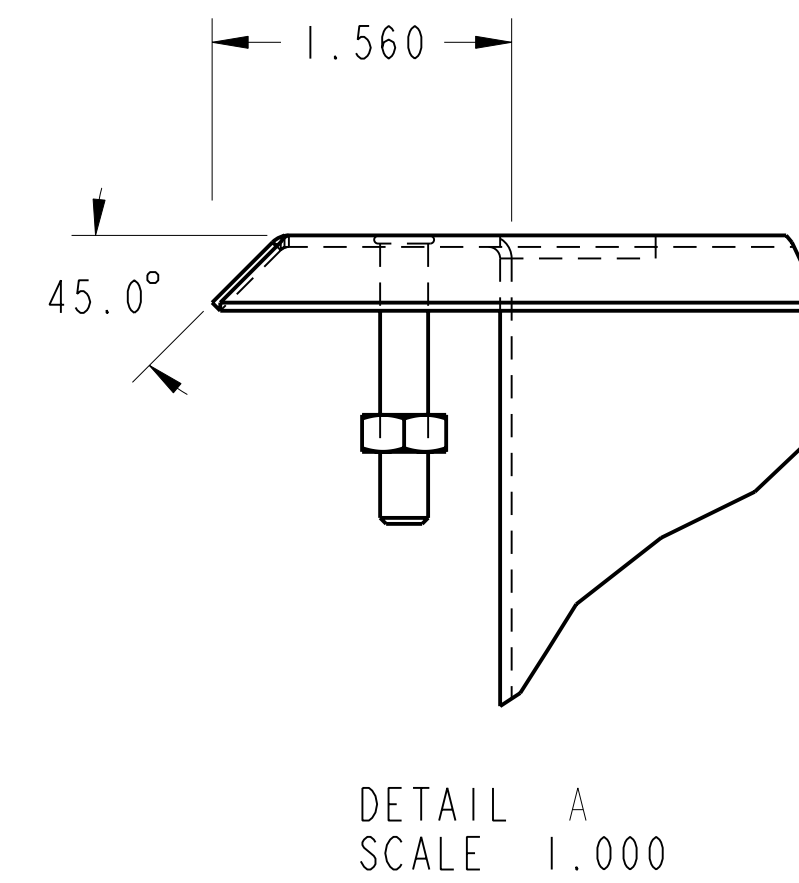
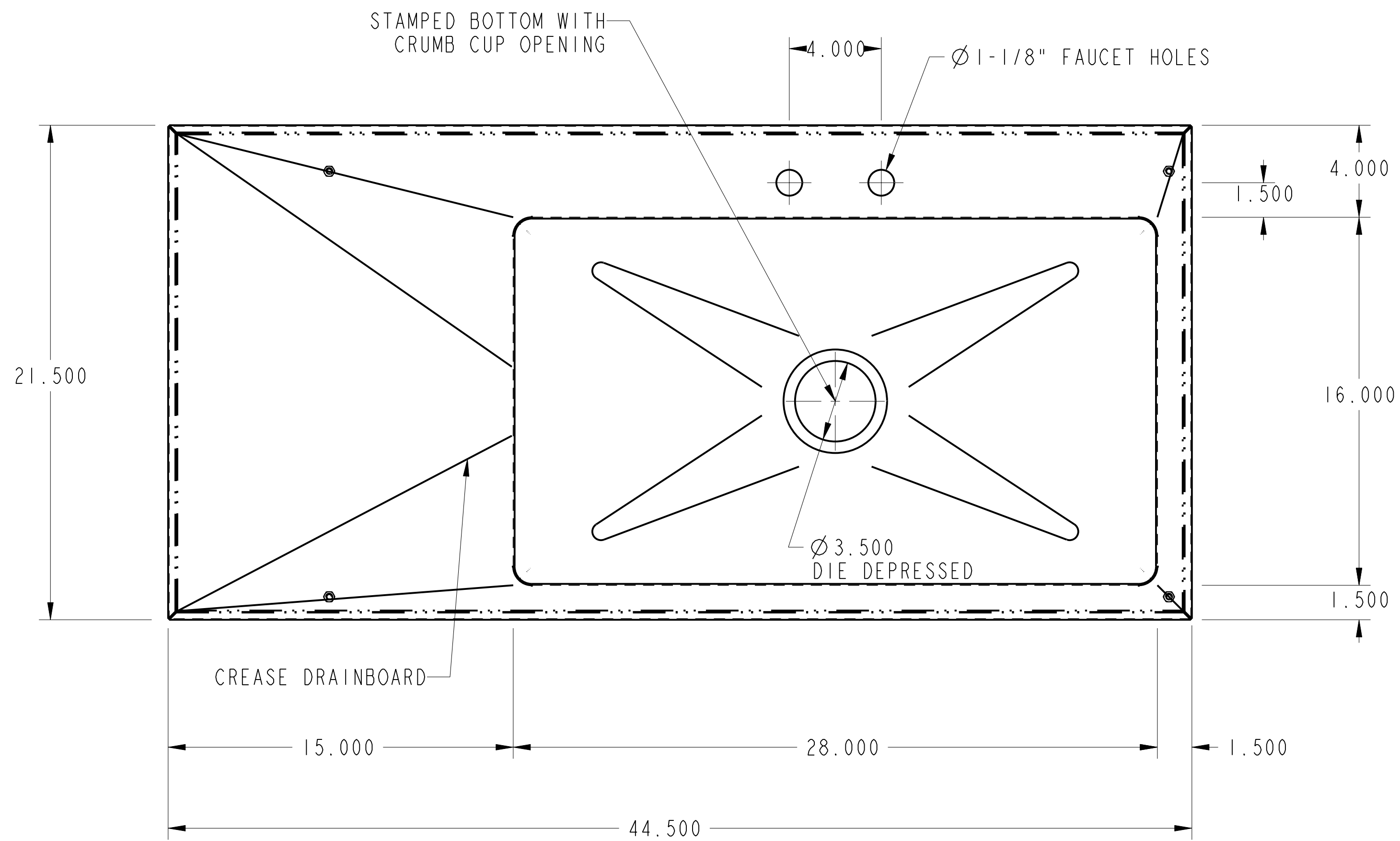


PURCHASED ITEMS

| KEY | DESCRIPTION                  | QTY. | U/M | INV. CODE | VENDOR NAME | PART/MODEL NUMBER | PART TYPE |
|-----|------------------------------|------|-----|-----------|-------------|-------------------|-----------|
| 1   | 1/4"-20 HEX NUT SS W/PLASTIC | 4    | EA  | BI        | MISC        | 250-20_HEXNUT     | PART      |
| 2   | 1/4"-20 X 1 1/2" STUD BOLT   | 4    | EA  | BI        | MISC        | 1_4-20_STUD       | PART      |

DROP IN: 16 GA. STN/STL ALL WELDED CONSTRUCTION w/ INTEGRAL SINK. ALL HORIZONTAL AND VERTICAL CORNERS TO BE A 3/4" RADIUS. CREASE DRAIN BOARD (3/16")

NOTES: ALL STN/STL TO BE TYPE 300 SERIES.  
ALL STN/STL TO BE POLISHED TO A NO. 3 FINISH.  
ALL UNEXPOSED WELDS TO BE COVERED w/ ALUMINUM PAINT.  
ALL METAL EDGES AND CORNERS TO BE FILED SMOOTH.



| NO.   | DATE | REVISIONS          | BY |
|-------|------|--------------------|----|
| ASSEM |      | DWD-1-2816-4_5-15L |    |



AMTEKCO INDUSTRIES, INC.

MANUFACTURERS OF QUALITY PRODUCTS FOR  
THE FOOD MARKETING INDUSTRY  
1205 REFUGEE ROAD COLUMBUS, OHIO 43207  
(614)228-6590 Fax (614)737-8016

AMTEKCO INDUSTRIES

DROP-IN SINK W/DRAINBOARD (DWD-1-2816-4.5-15L)

| APPROVED BY | CKD BY | DATE               | SCALE |            |
|-------------|--------|--------------------|-------|------------|
|             |        | 28-Sep-06          | 0.250 |            |
| DATE        | CODE   | DRAWING No.        | REV.  | PART/SHEET |
|             |        | DWD-1-2816-4.5-15L |       | 1 of 1     |

THIS DRAWING IS THE PROPERTY OF AMTEKCO INDUSTRIES, INC., AND IS TO REMAIN IN THE POSSESSION OF OUR REPRESENTATIVE UNLESS PERMISSION IS GIVEN BY AMTEKCO INDUSTRIES, INC., AND MUST BE RETURNED WHEN REQUESTED.

PRO