

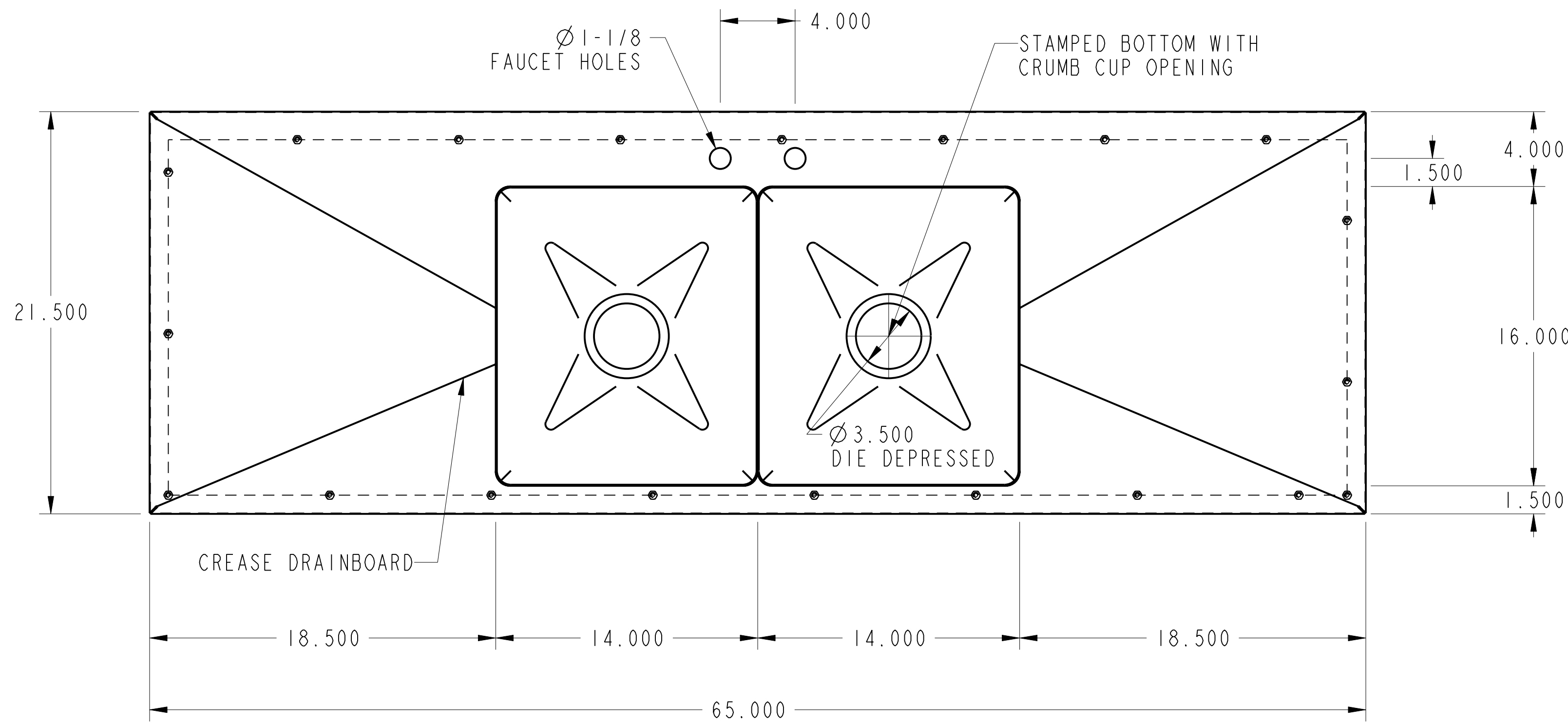
PURCHASED ITEMS

KEY	DESCRIPTION	QTY.	U/M	INV. CODE	VENDOR NAME	PART/MODEL NUMBER	PART TYPE
1	1/4"-20 HEX NUT SS W/PLASTIC	20	EA	BI	MISC	250-20_HEXNUT	PART
2	1/4"-20 X 1 1/2" STUD BOLT	20	EA	BI	MISC	1_4-20_STUD	PART

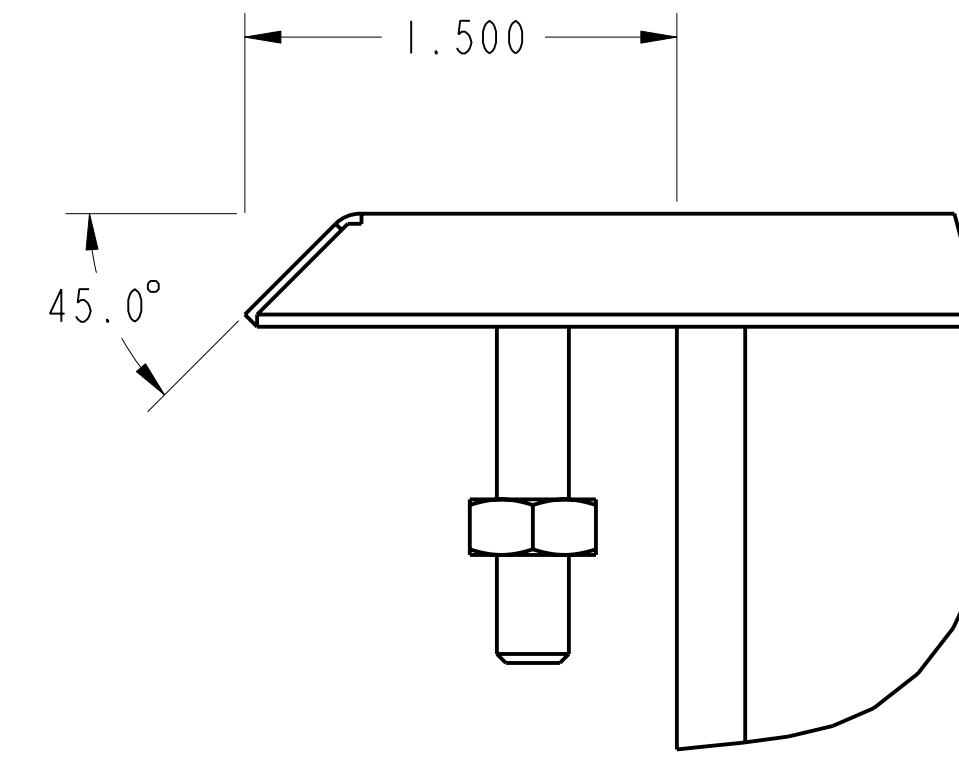
DROP IN TOP : 16 GA. STN/STL ALL WELDED CONSTRUCTION. CREASE DRAINBOARD 3/16"

SINK : 16 GA. STN/STL ALL WELDED CONSTRUCTION. ALL HORIZONTAL AND VERTICAL CORNERS TO BE A 3/4" RADIUS.

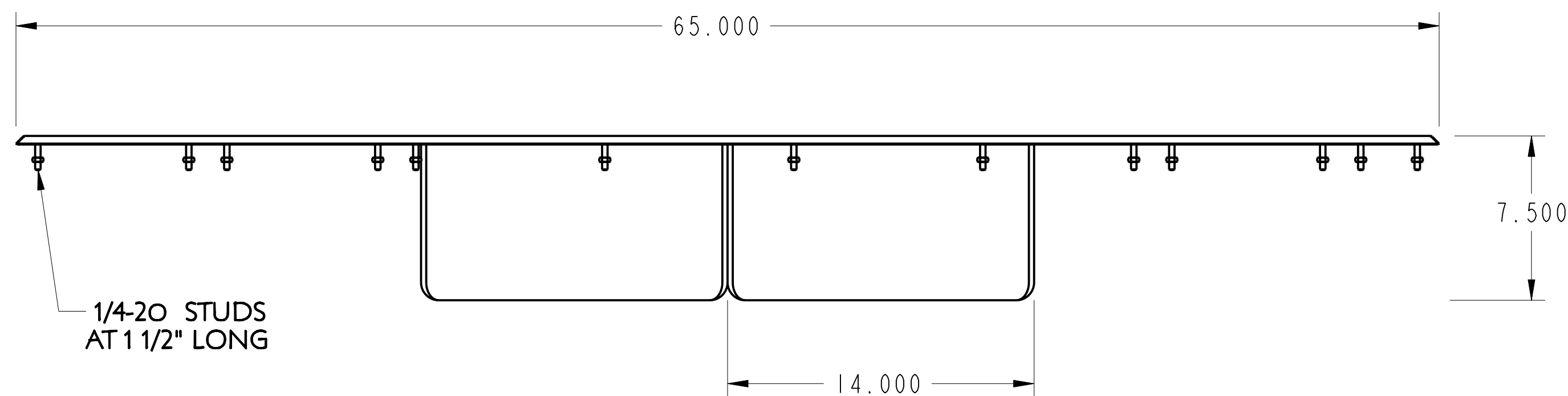
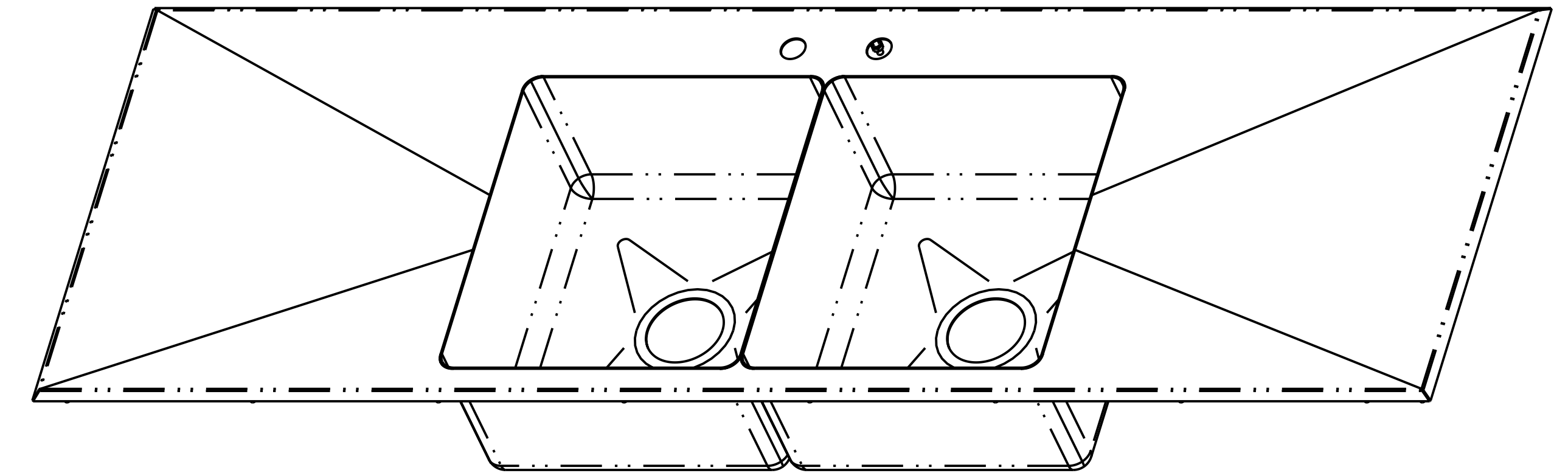
NOTES: ALL STN/STL TO BE TYPE 300 SERIES.  
ALL STN/STL TO BE POLISHED TO A NO. 3 FINISH.  
ALL UNEXPOSED WELDS TO BE COVERED w/ ALUMINUM PAINT.  
ALL METAL EDGES AND CORNERS TO BE FILED SMOOTH.



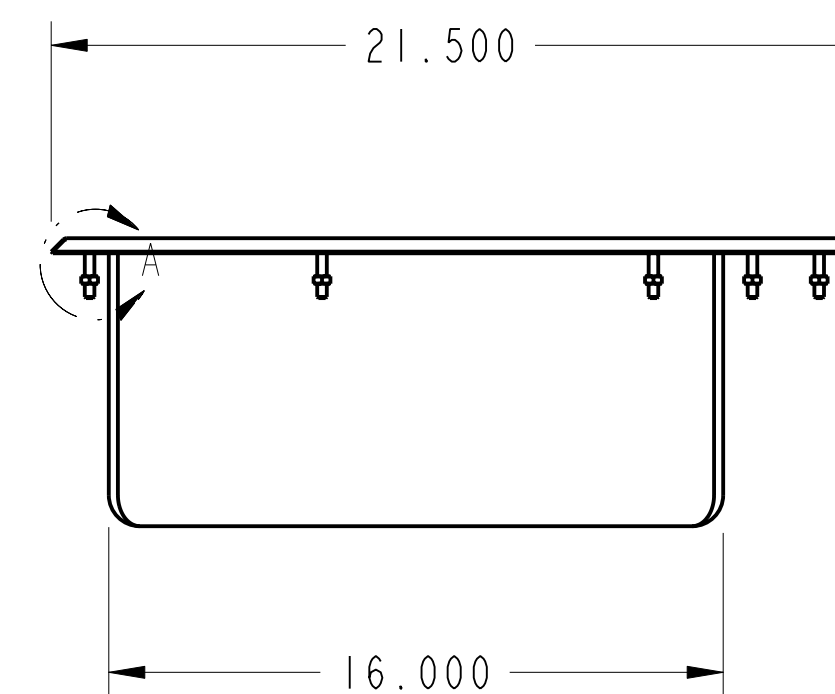
PLAN VIEW



DETAIL A  
SCALE 1:500



FRONT ELEVATION



NO.	DATE	REVISIONS	BY
ASSEM	DWDD-2-1416-7_5-18_5D		



PRO

AMTEKCO INDUSTRIES, INC.

MANUFACTURERS OF QUALITY PRODUCTS FOR  
THE FOOD MARKETING INDUSTRY  
1205 REFUGEE ROAD COLUMBUS, OHIO 43207  
(614)228-6590 Fax (614)737-8016

AMTEKCO INDUSTRIES

TWO COMPARTMENT DROP IN SINK (DWDD-2-1416-7.5-18.5D)

APPROVED BY	CKD BY	DATE	SCALE	
		05-Oct-06	0200	
DATE	CODE	DRAWING No.	REV.	PART/SHEET
		DWDD-2-1416-7.5-18.5D		1 of 1

THIS DRAWING IS THE PROPERTY OF AMTEKCO INDUSTRIES, INC., AND IS TO REMAIN IN THE POSSESSION OF OUR REPRESENTATIVE UNLESS PERMISSION IS GIVEN BY AMTEKCO INDUSTRIES, INC., AND MUST BE RETURNED WHEN REQUESTED.