

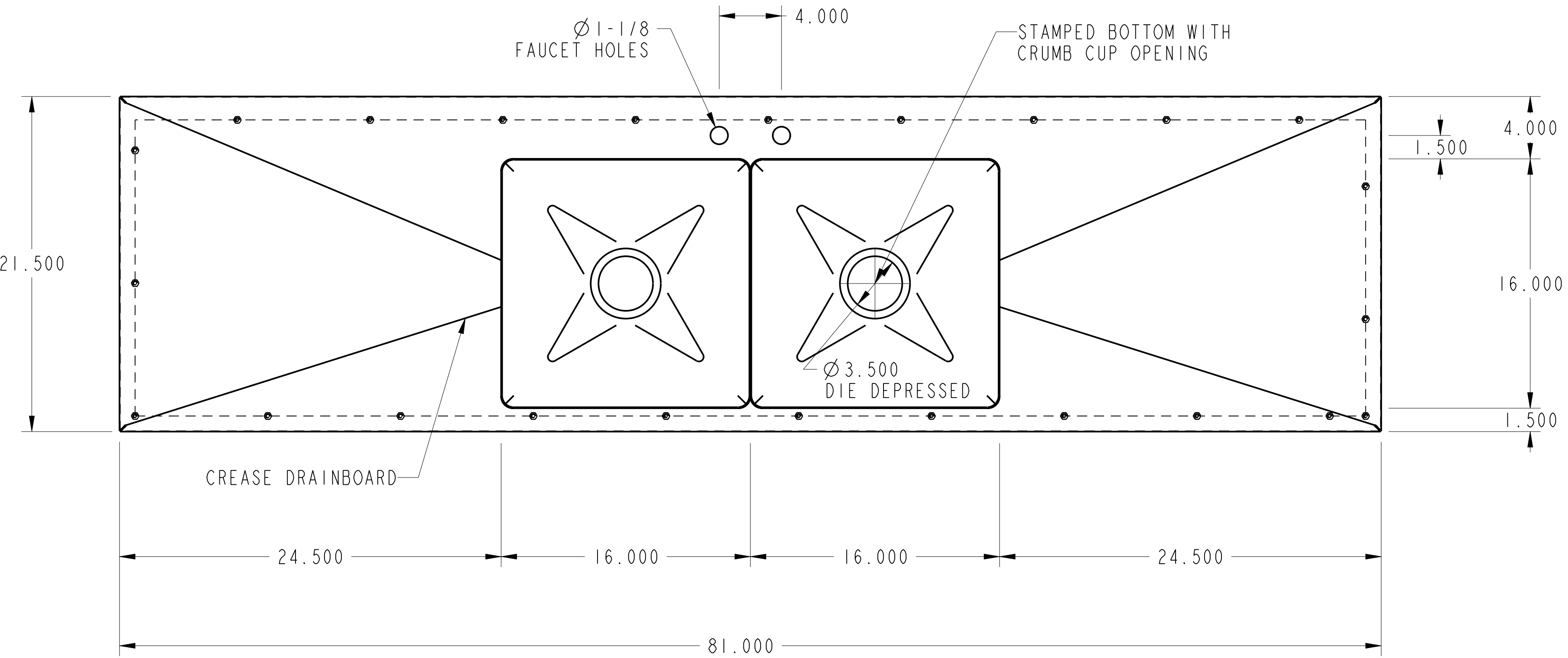
PURCHASED ITEMS

| KEY | DESCRIPTION                  | QTY. | U/M | INV. CODE | VENDOR NAME | PART/MODEL NUMBER | PART TYPE |
|-----|------------------------------|------|-----|-----------|-------------|-------------------|-----------|
| 1   | 1/4"-20 HEX NUT SS W/PLASTIC | 24   | EA  | BI        | MISC        | 250-20_HEXNUT     | PART      |
| 2   | 1/4"-20 X 1 1/2" STUD BOLT   | 24   | EA  | BI        | MISC        | 1_4-20_STUD       | PART      |

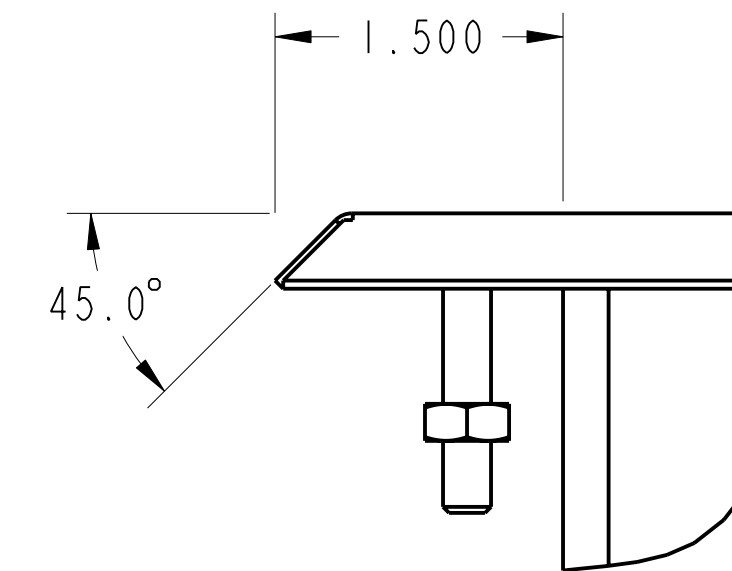
DROP IN TOP : 16 GA. STN/STL ALL WELDED CONSTRUCTION. CREASE DRAINBOARD 3/16"

SINK : 16 GA. STN/STL ALL WELDED CONSTRUCTION. ALL HORIZONTAL AND VERTICAL CORNERS TO BE A 3/4" RADIUS.

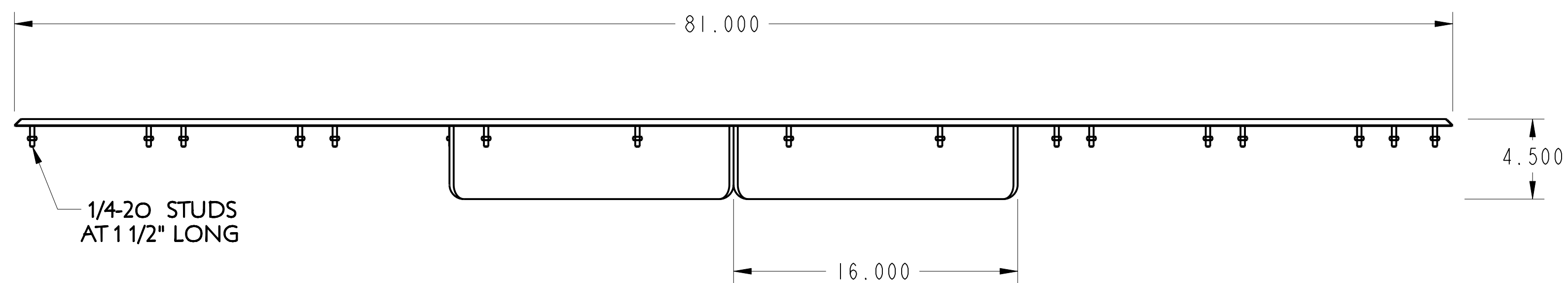
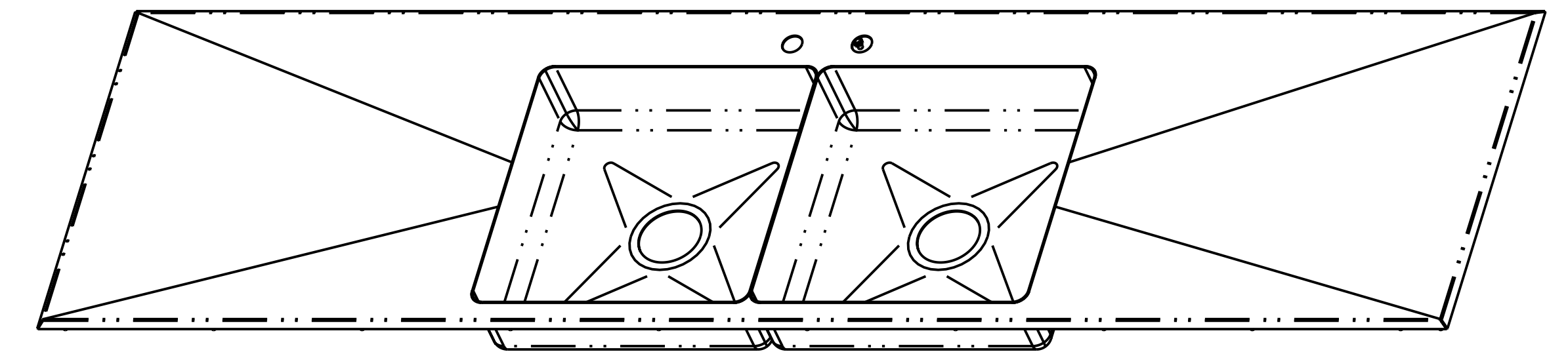
NOTES: ALL STN/STL TO BE TYPE 300 SERIES.  
ALL STN/STL TO BE POLISHED TO A NO. 3 FINISH.  
ALL UNEXPOSED WELDS TO BE COVERED W/ ALUMINUM PAINT.  
ALL METAL EDGES AND CORNERS TO BE FILED SMOOTH.



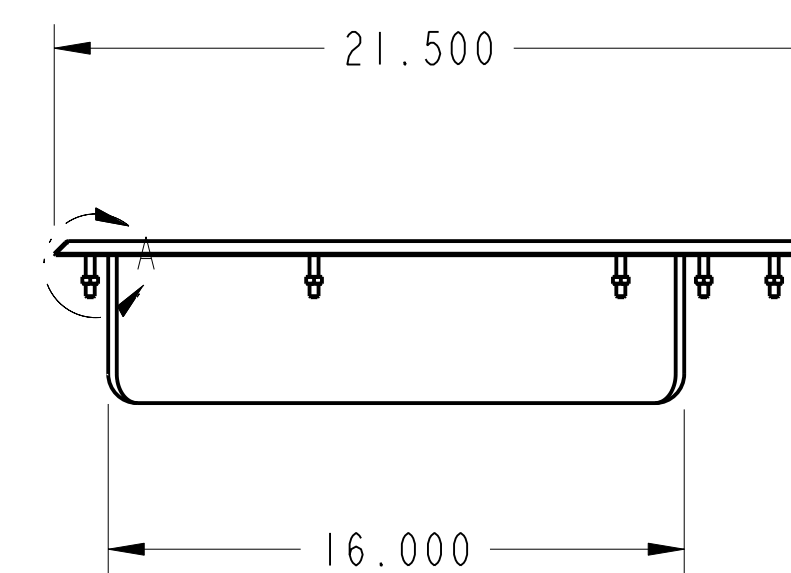
PLAN VIEW



DETAIL A  
SCALE 1.000



FRONT ELEVATION



| NO.   | DATE                  | REVISIONS | BY |
|-------|-----------------------|-----------|----|
| ASSEM | DWDD-2-1616-4_5-24_5D |           |    |

