

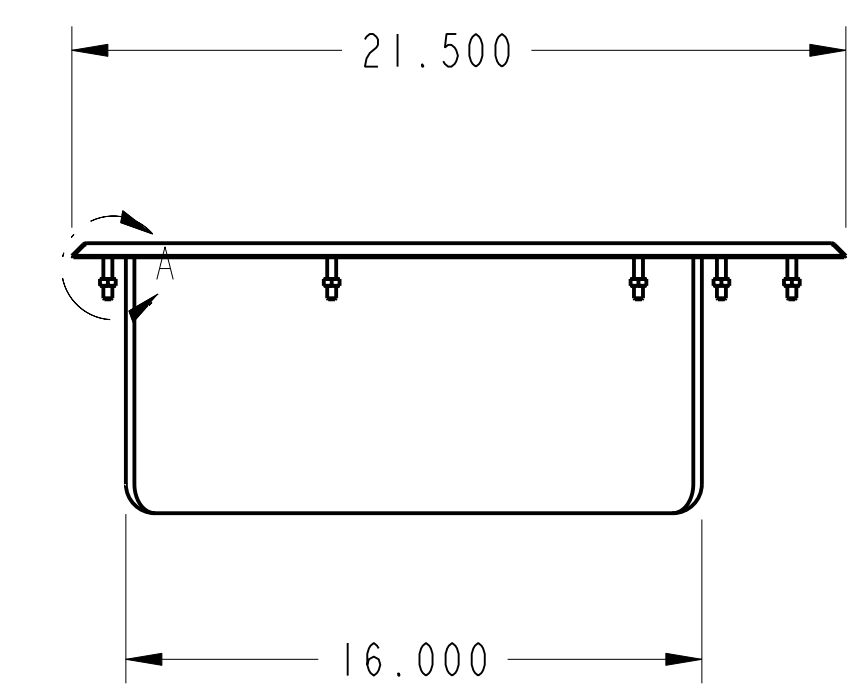
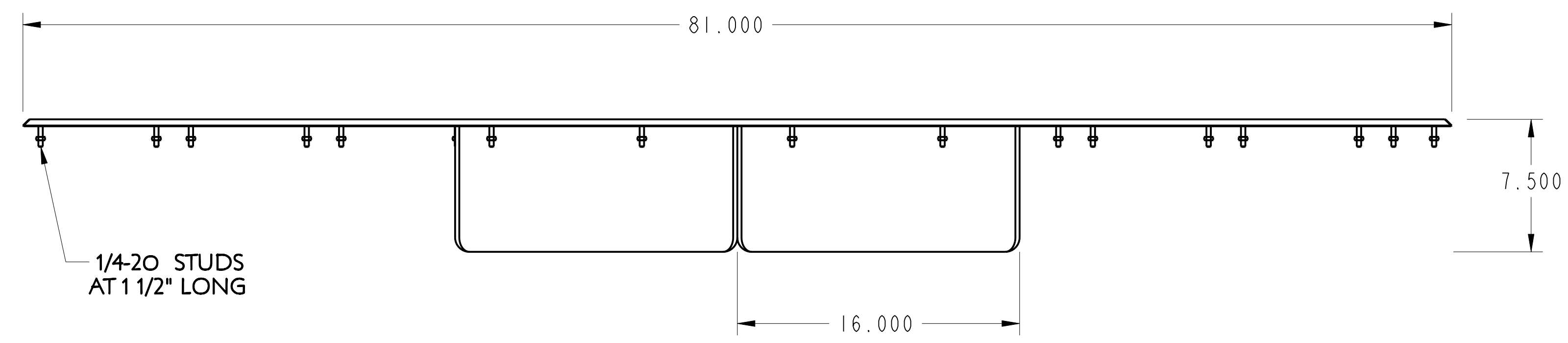
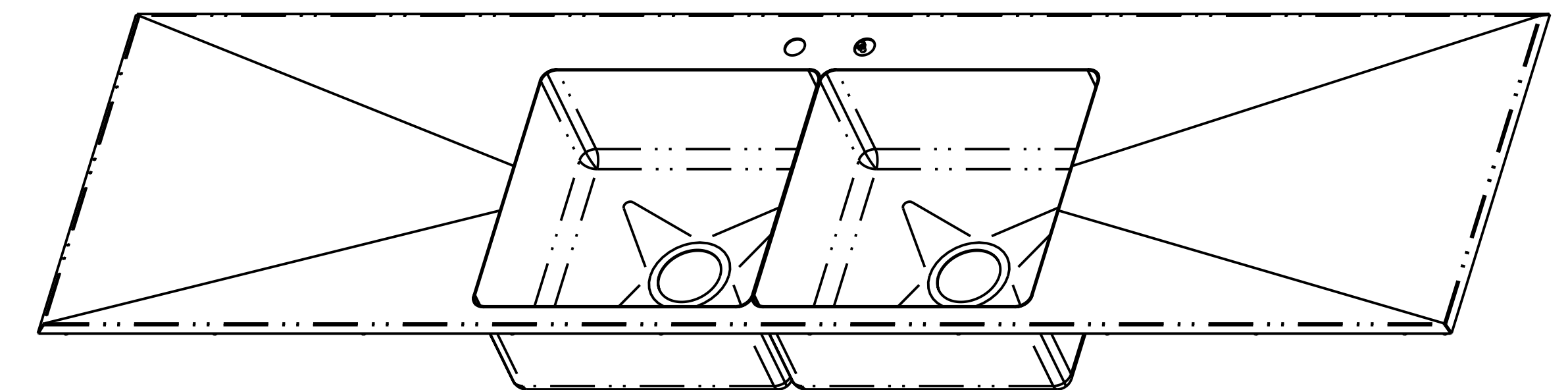
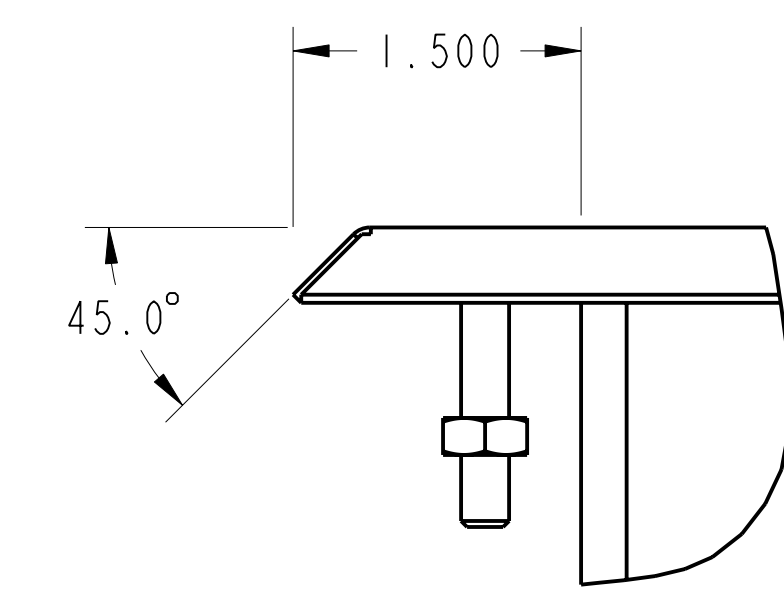
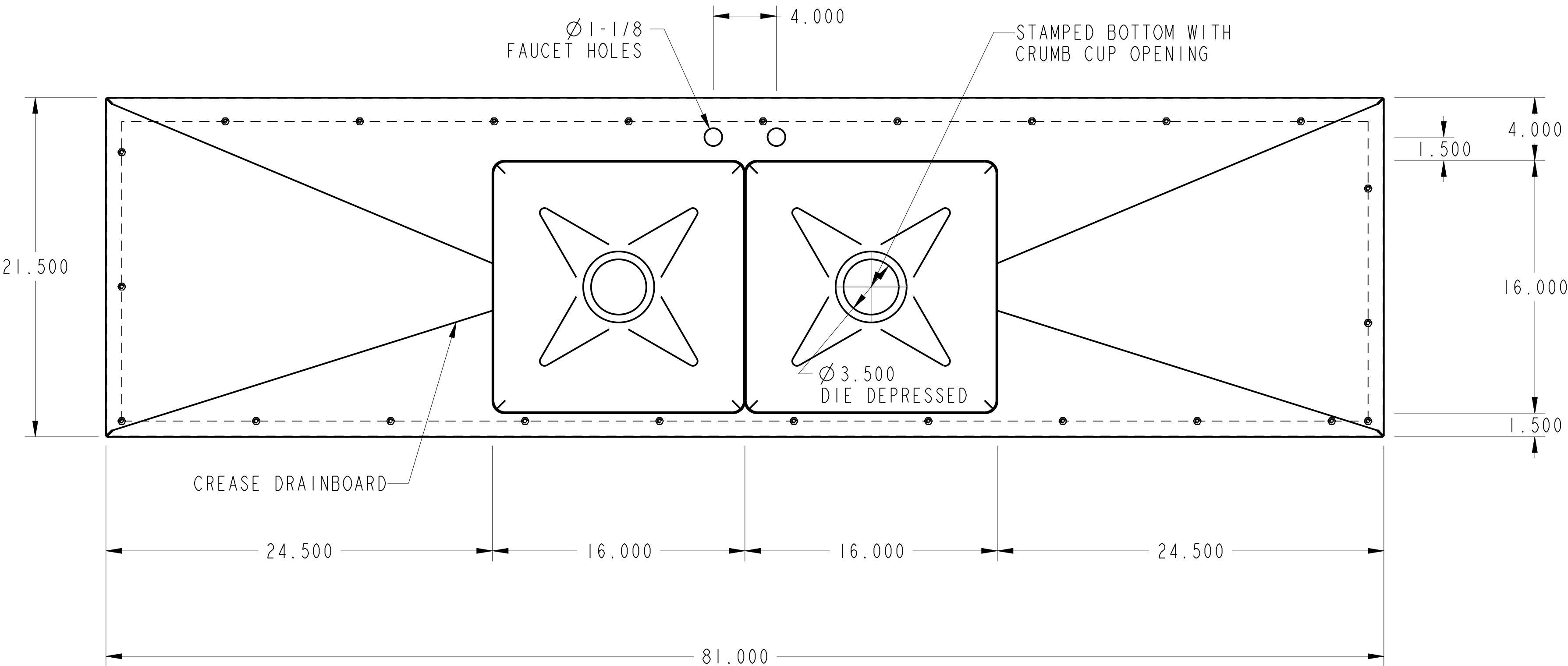
PURCHASED ITEMS

| KEY | DESCRIPTION | QTY. | U/M | INV. CODE | VENDOR NAME | PART/MODEL NUMBER | PART TYPE |
|-----|------------------------------|------|-----|-----------|-------------|-------------------|-----------|
| 1 | 1/4"-20 HEX NUT SS W/PLASTIC | 24 | EA | BI | MISC | 250-20_HEXNUT | PART |
| 2 | 1/4"-20 X 1 1/2" STUD BOLT | 24 | EA | BI | MISC | 1_4-20_STUD | PART |

DROP IN TOP : 16 GA. STN/STL ALL WELDED CONSTRUCTION. CREASE DRAINBOARD 3/16"

SINK : 16 GA. STN/STL ALL WELDED CONSTRUCTION. ALL HORIZONTAL AND VERTICAL CORNERS TO BE A 3/4" RADIUS.

NOTES: ALL STN/STL TO BE TYPE 300 SERIES.
ALL STN/STL TO BE POLISHED TO A NO. 3 FINISH.
ALL UNEXPOSED WELDS TO BE COVERED w/ ALUMINUM PAINT.
ALL METAL EDGES AND CORNERS TO BE FILED SMOOTH.



| NO. | DATE | REVISIONS | BY |
|-------|-----------------------|-----------|----|
| ASSEM | DWDD-2-1616-7_5-24_5D | | |

