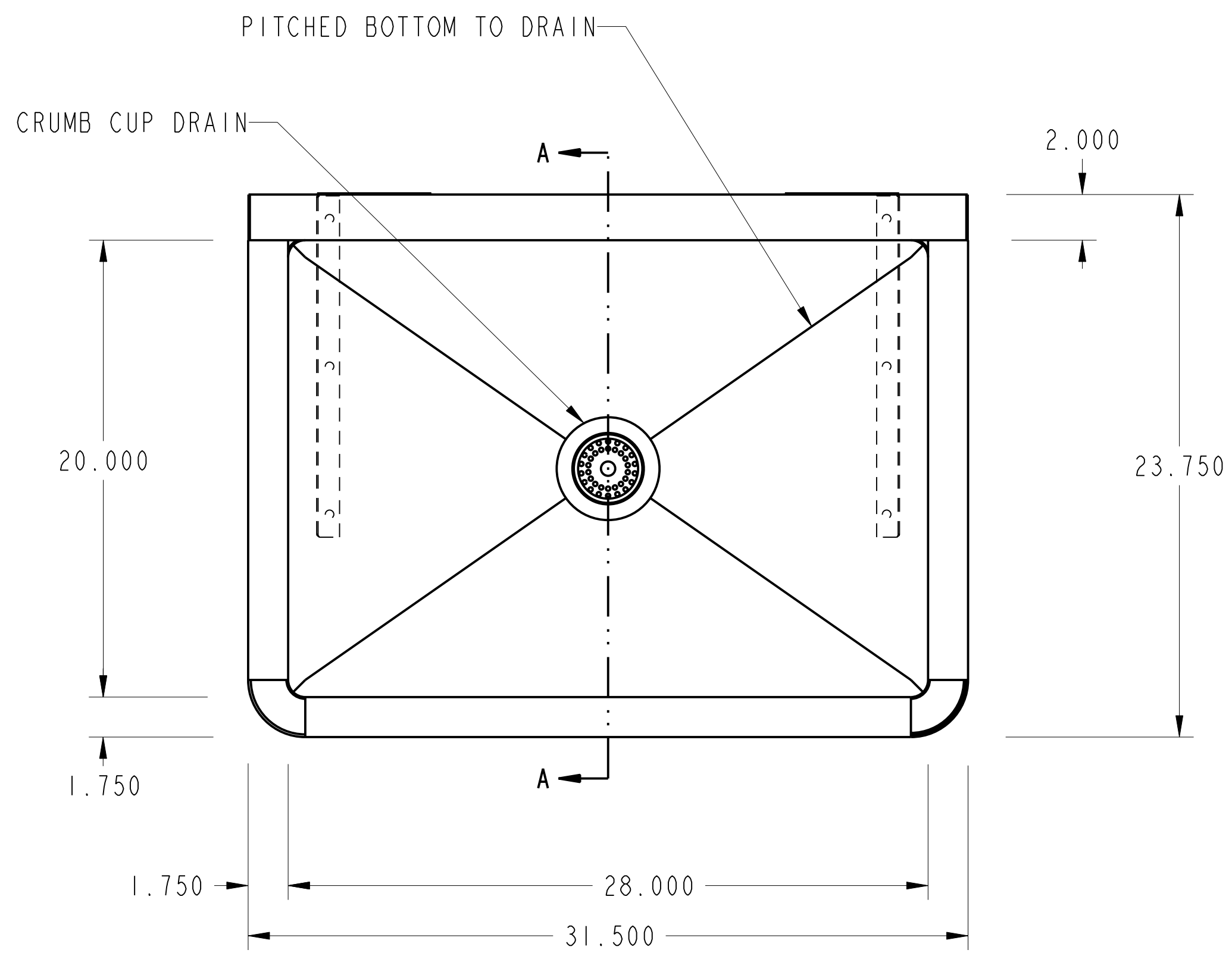


PURCHASED ITEMS

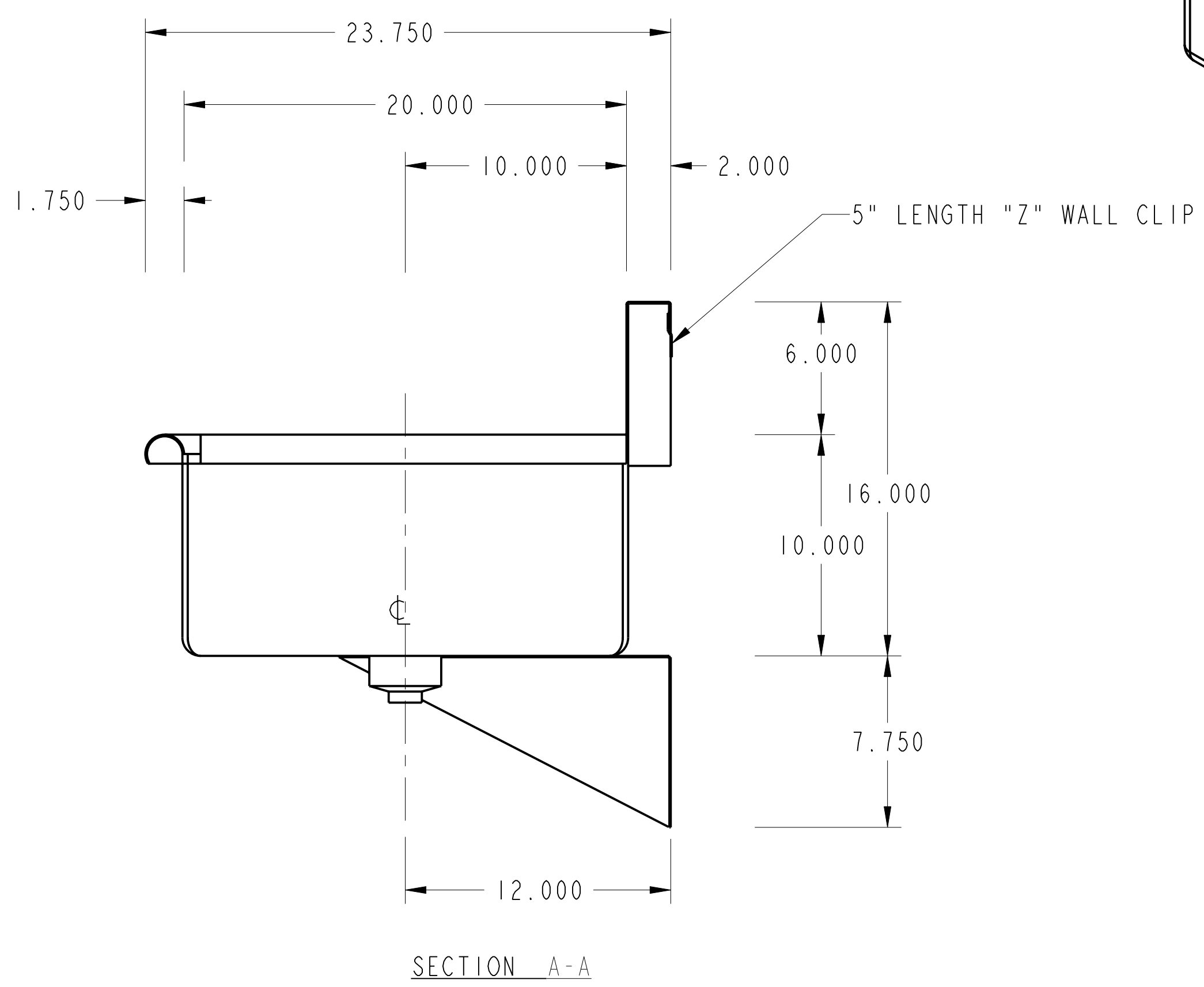
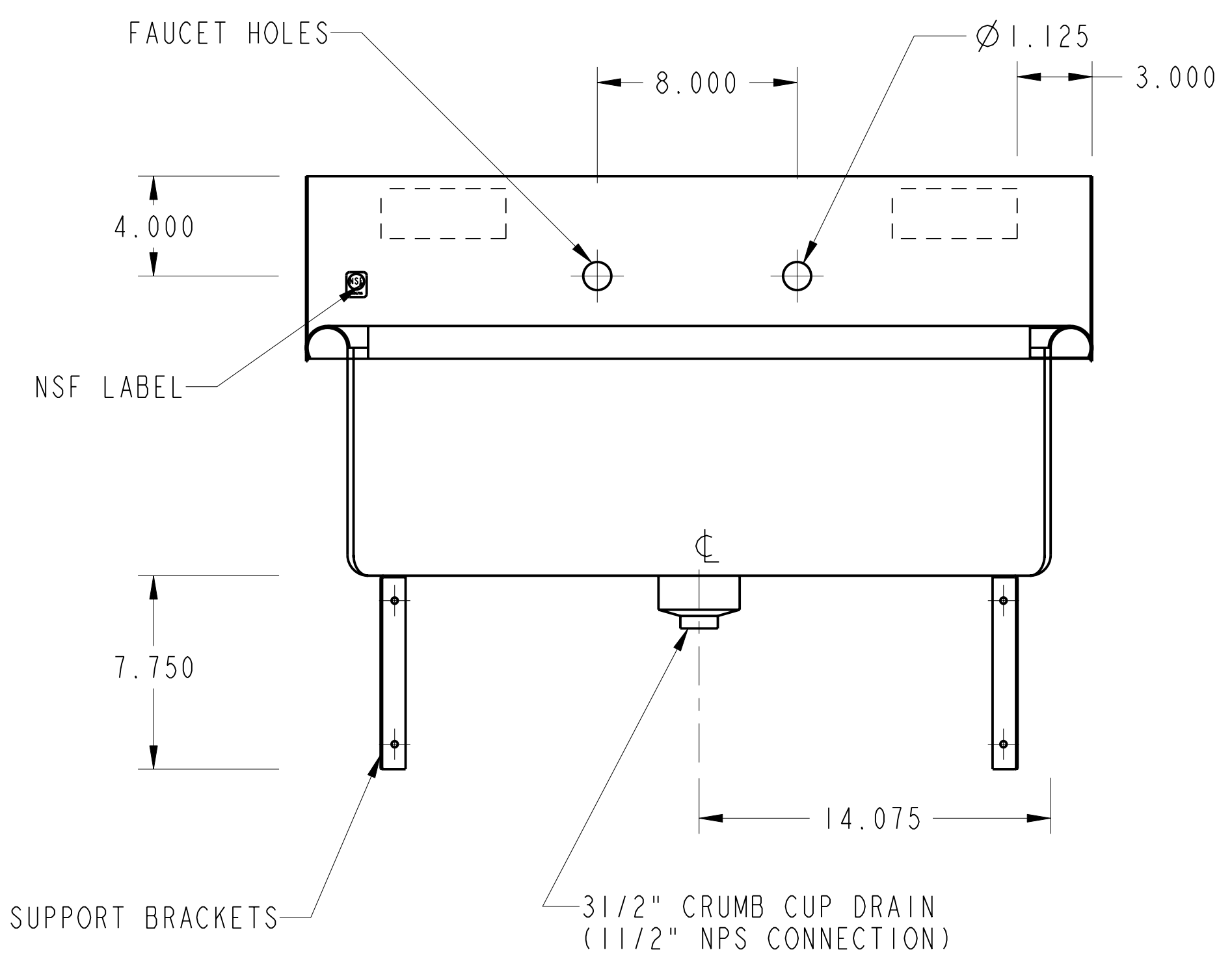
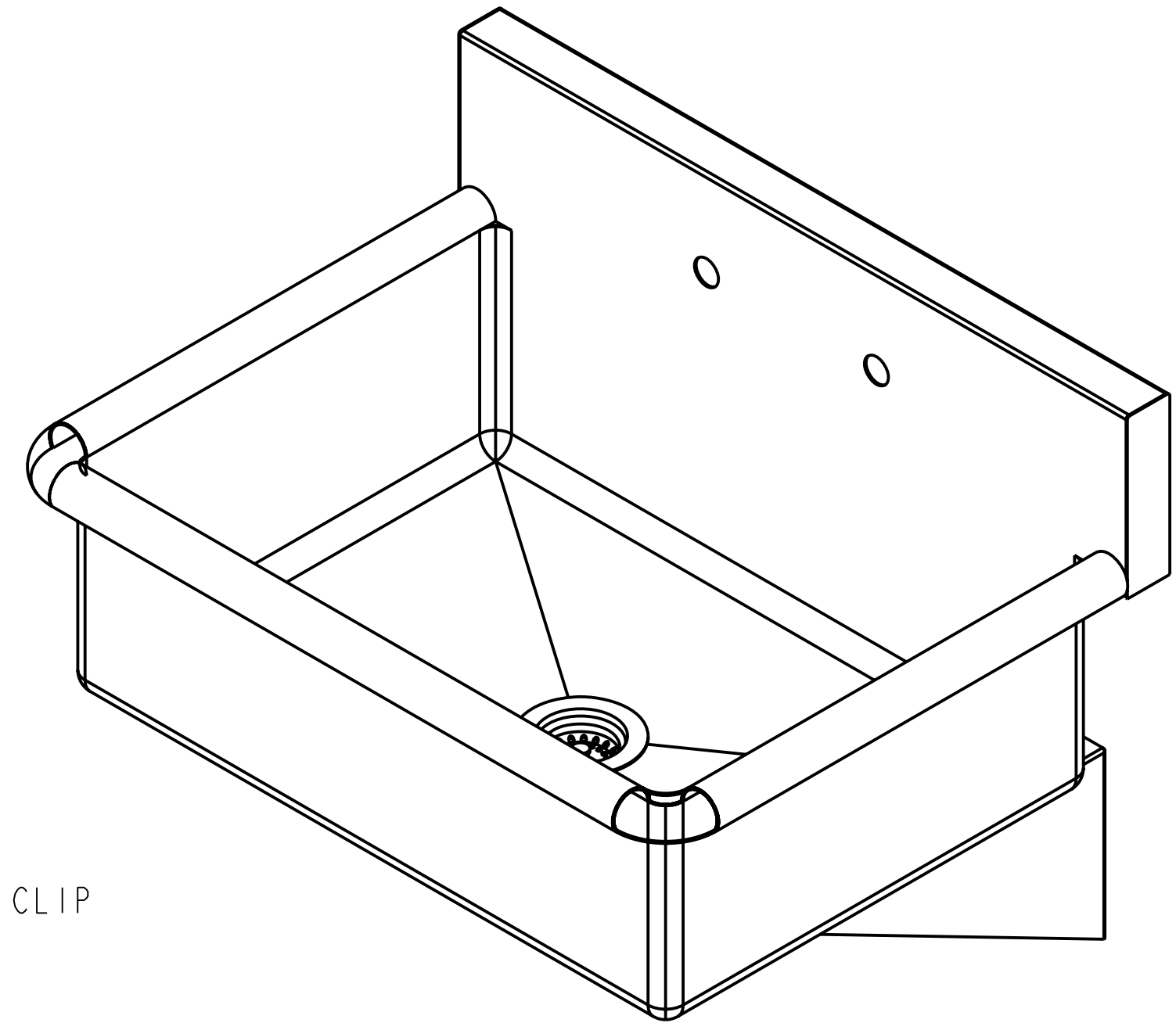
| KEY | DESCRIPTION | QTY. | U/M | INV. CODE | VENDOR NAME | PART/MODEL NUMBER | PART TYPE |
|-----|----------------------------|------|-----|-----------|-------------|-------------------|-----------|
| 1 | DUO BASKET DRAIN, E38-1010 | 1 | EA | BO | COMPONENT | E38-1010 | ASSEMBLY |



TOP: 14 GA S/S ALL WELDED CONSTRUCTION W/ INTEGRAL 10" HIGH BACKSPLASH ALL HORIZONTAL AND VERTICAL CORNERS TO BE COVERED TO 3/4" RAD. WITH INTEGRAL SINK

BRACKET : 16 GA S/S WELDED TO THE TOP

NOTES: ALL S/S TO BE TYPE 300 SERIES.
ALL S/S TO BE POLISHED TO NO. 3 FINISH
ALL UNEXPOSED WELDS TO BE COVERED W/ ALUMINUM PAINT.
ALL METAL EDGES TO BE FILED SMOOTH.



| NO. | DATE | REVISIONS | BY |
|-------|------|-----------|----|
| ASSEM | | SCS-2820 | |

