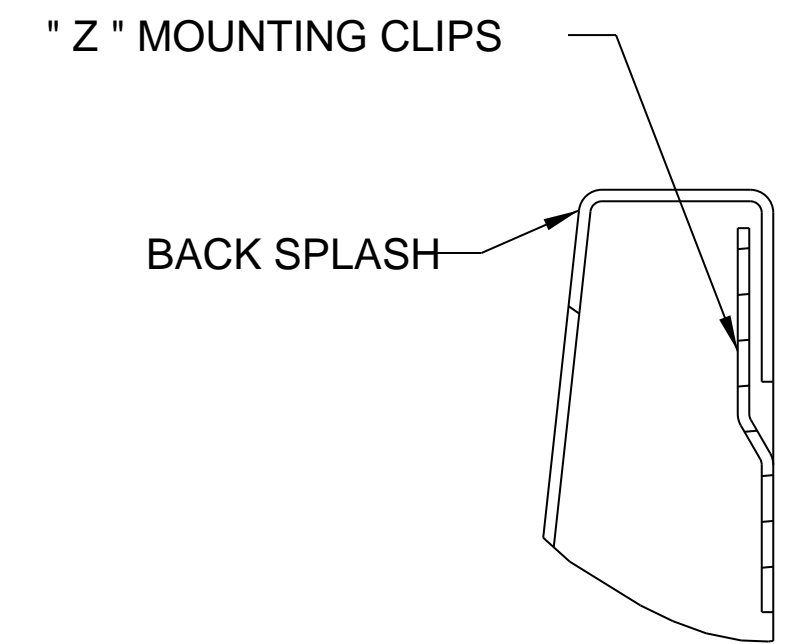
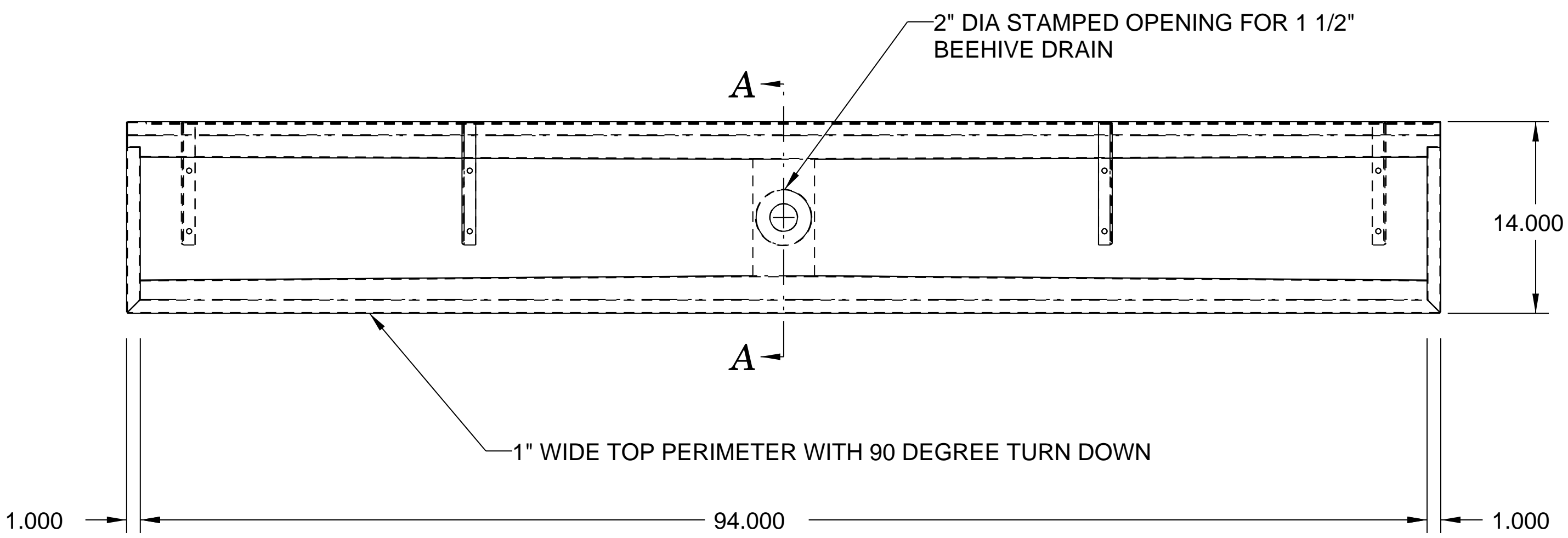
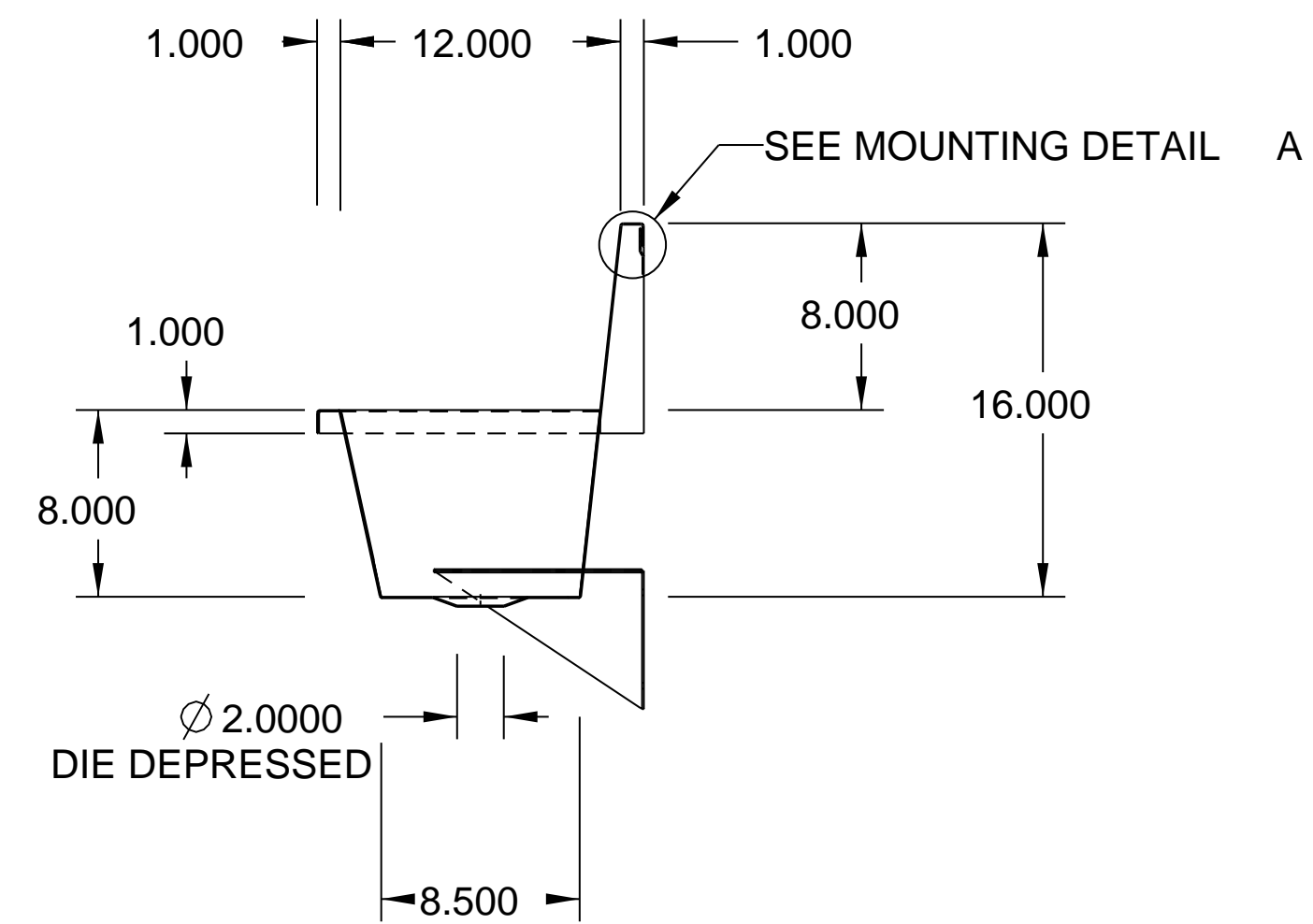
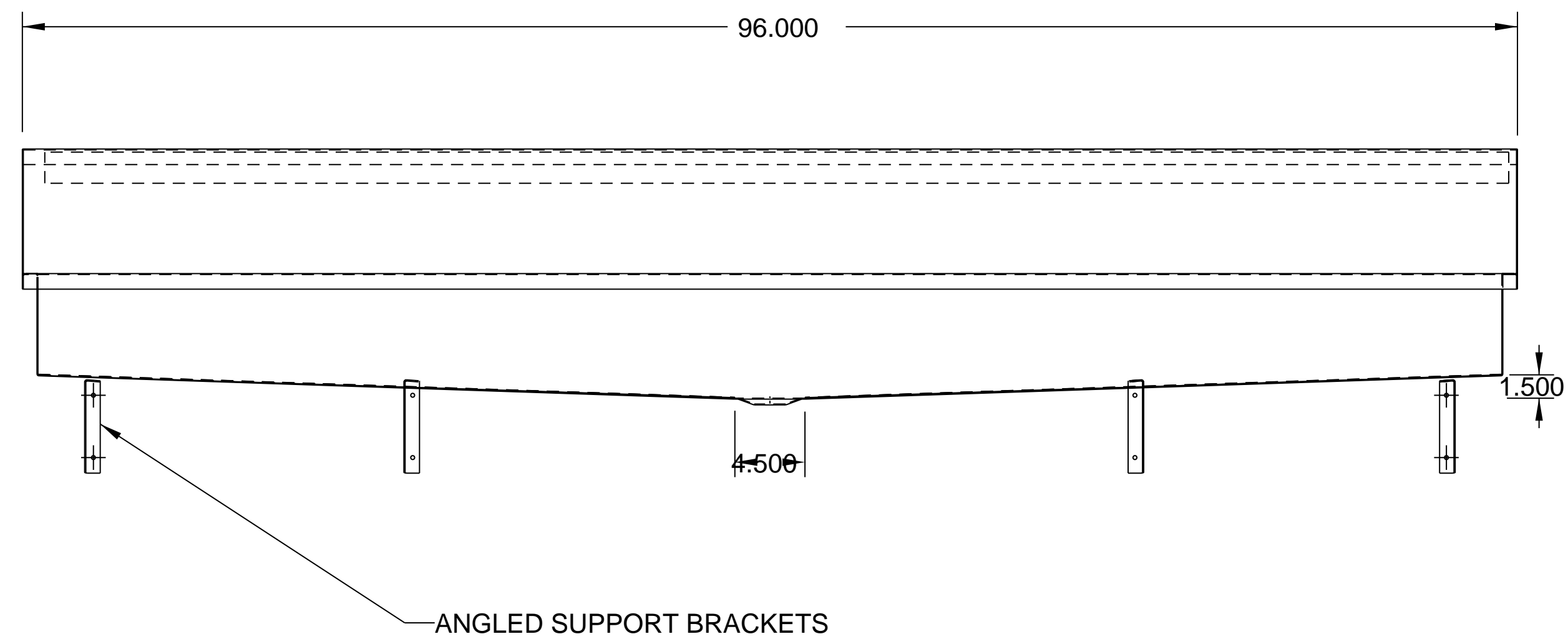
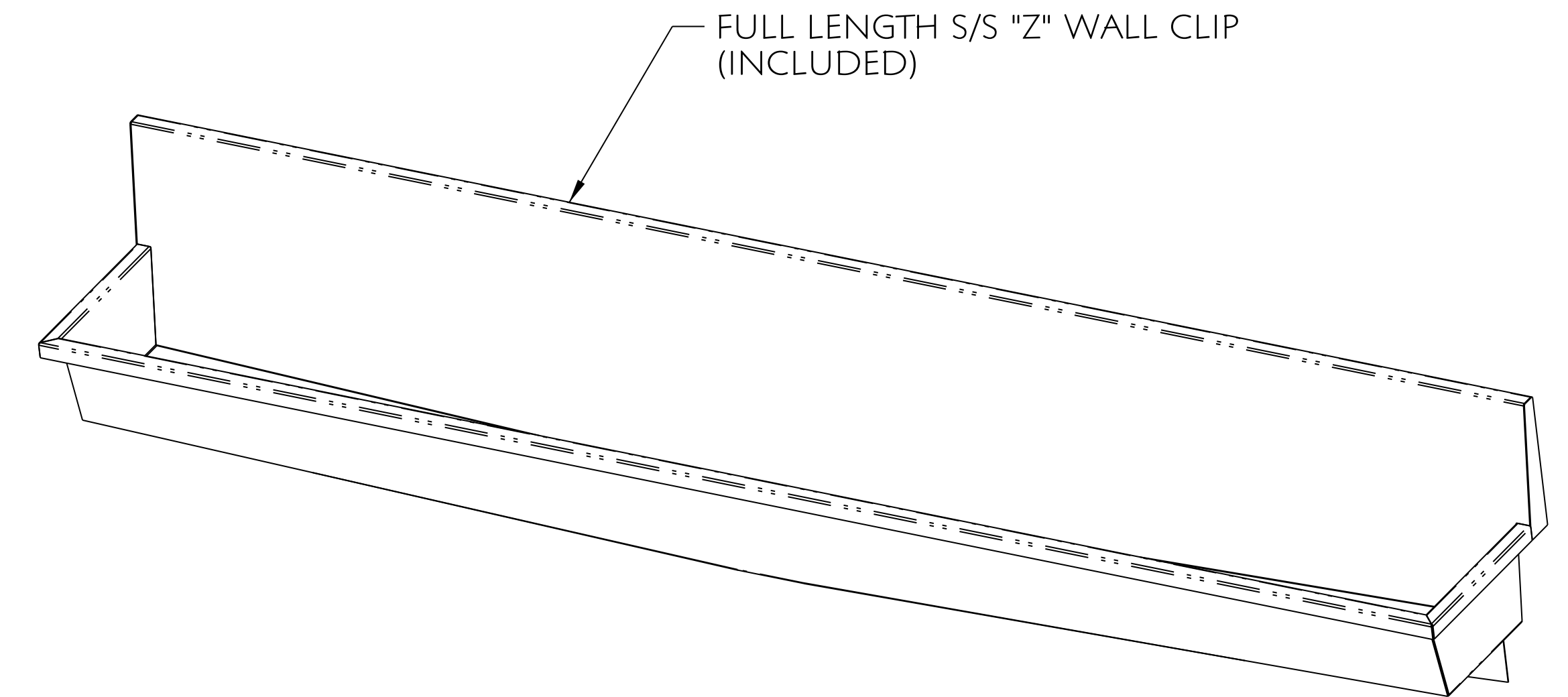


URINAL: 16 GA. STN/STL ALL WELDED CONSTRUCTION WITH INTEGRAL DEPRESSED DRAIN AS SHOWN.
 BRACKET: 14 GA. STN/STL ALL WELDED CONSTRUCTION, STUD WELDED TO BOTTOM SURFACE.
 NOTES: ALL STN STL TO BE TYPE 304.
 ALL STN STL TO BE POLISHED TO NO. 3 FINISH.
 ALL UNEXPOSED WELDS TO BE COATED WITH ALUMINUM PAINT.
 ALL METAL EDGES TO BE FILED SMOOTH. NO SHARP EDGES OR CORNERS.



DETAIL A
SCALE 1.000



SECTION A-A

NO.	DATE	REVISIONS	BY
ASSEM		SSU-96	



PRO