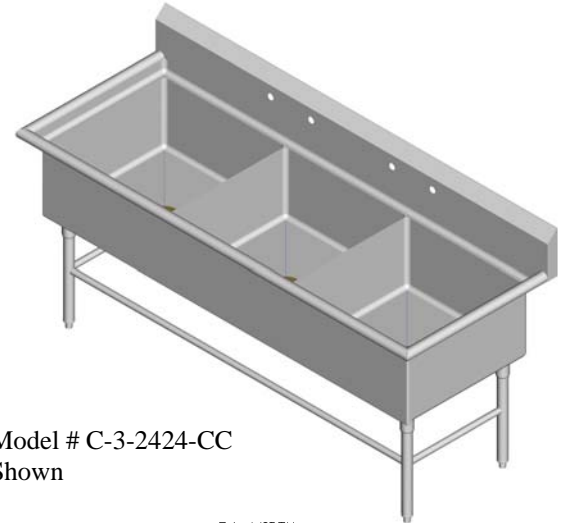
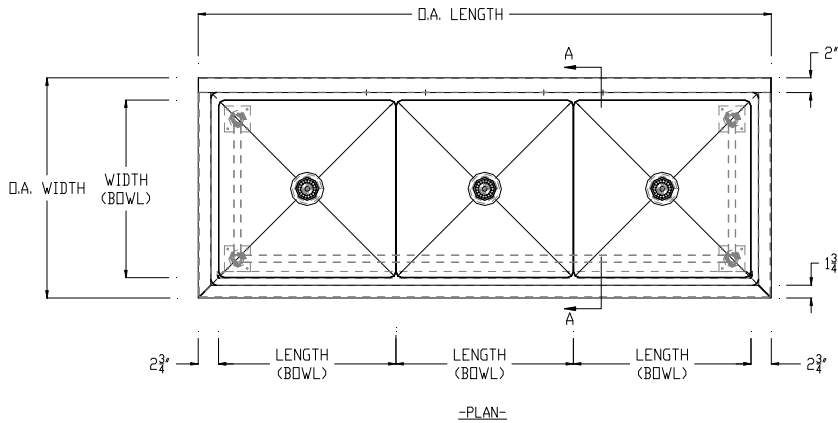


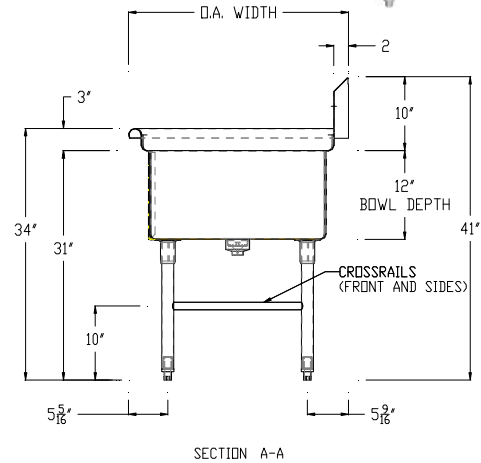
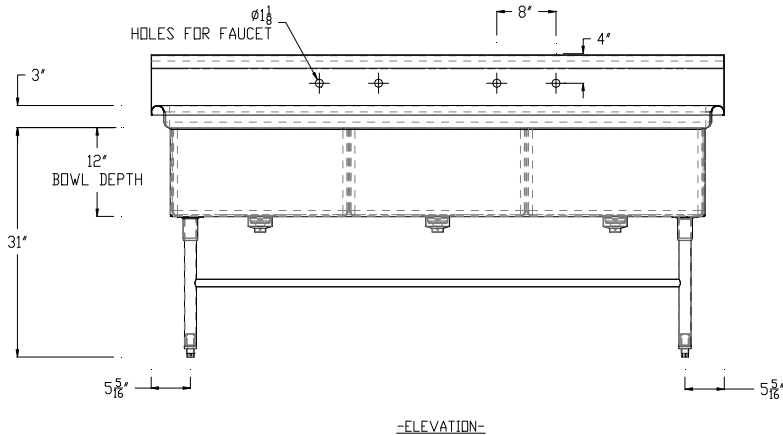
**THREE COMPARTMENT SINKS
 W/ NO DRAINBOARD & THREE SIDED CROSS
 BRACING**



PROJECT#: _____
 ITEM# _____
 MODEL# _____



Model # C-3-2424-CC
 Shown



THREE COMPARTMENT SINKS W/ NO DRAINBOARD & THREE SIDED CROSS BRACING							
MODEL#	QTY	PRODUCT DIMENSIONS (INCHES)					SHIPPING WEIGHT (LBS)
		LENGTH (BOWL)	WIDTH (BOWL)	O.A. LENGTH	O.A. WIDTH	OVERALL HEIGHT	
C-3-1618-CC		16"	18"	53 1/2"	23 3/4"	41"	145
C-3-1824-CC		18"	24"	59 1/2"	29 3/4"	41"	165
C-3-2424-CC		24"	24"	77 1/2"	29 3/4"	41"	183

SINK SPECIFICATIONS:

- TOP:** 16 GA. 300 Series Stainless Steel
- SINK BOWLS:** 16 GA. 300 Series Stainless Steel
- CROSS BRACING:** 1" Diameter Stainless Steel Welded To Legs
- LEGS:** 1 5/8" Diameter Stainless Steel Tubing

CONSTRUCTION:

- ◆ Fully welded, Seamless, Polished to #4 Finish
- ◆ Sink Top has 3/4" Formed Radius with 1 3/4" 180 Degree Roll on Front and Ends
- ◆ S/S Adjustable Bullet Feet
- ◆ Crumb Cup Drain 1 1/2" IPS
- ◆ 8" On Center Faucet Holes
- ◆ Ships with (3) Wall Mount "Z" Clip
- ◆ (2) Sets of Faucet Holes on Bowls Greater Than 18" Long
- ◆ Integral 10" Tall Backsplash