

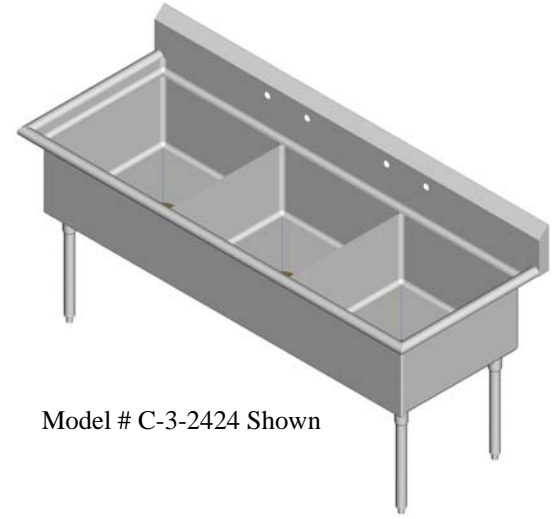
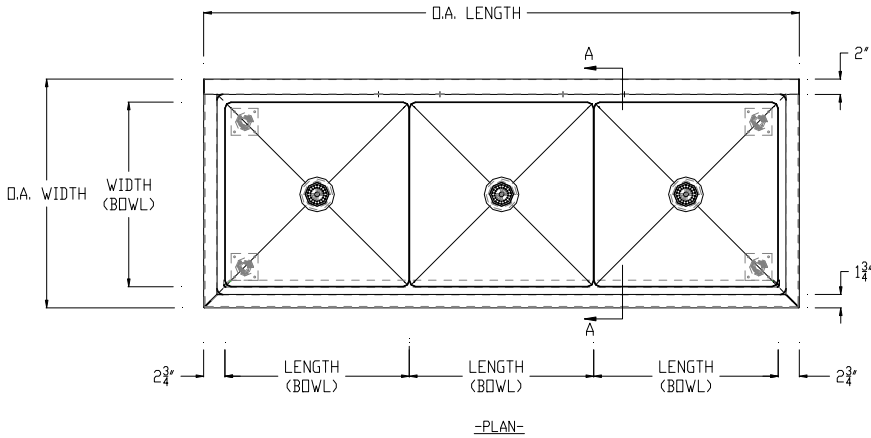


**THREE COMPARTMENT SINKS**  
**W/ NO DRAINBOARD**

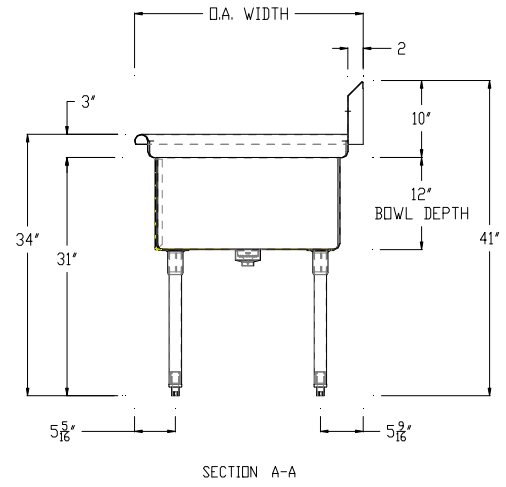
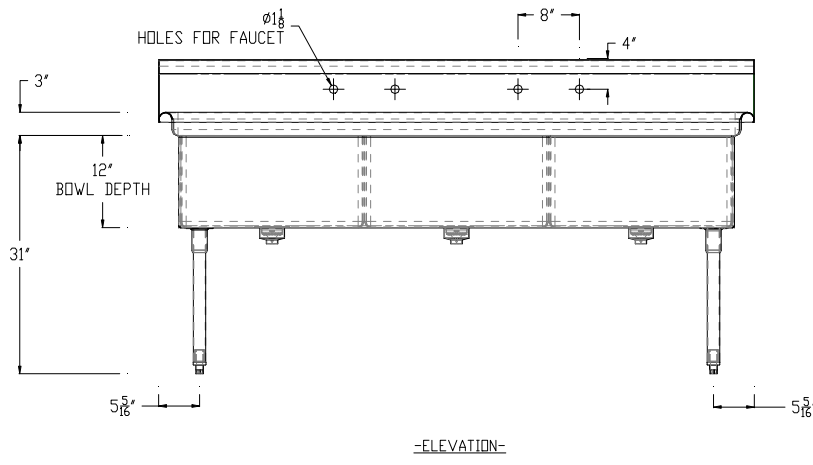
PROJECT#: \_\_\_\_\_

ITEM# \_\_\_\_\_

MODEL# \_\_\_\_\_



Model # C-3-2424 Shown



| THREE COMPARTMENT SINKS W/ NO DRAINBOARD |     |                             |              |             |            |                |                       |
|--|-----|-----------------------------|--------------|-------------|------------|----------------|-----------------------|
| MODEL#                                   | QTY | PRODUCT DIMENSIONS (INCHES) |              |             |            |                | SHIPPING WEIGHT (LBS) |
|  |     | LENGTH (BOWL)               | WIDTH (BOWL) | O.A. LENGTH | O.A. WIDTH | OVERALL HEIGHT |                       |
| C-3-1618                                 |     | 16"                         | 18"          | 53 1/2"     | 23 3/4"    | 41"            | 145                   |
| C-3-1824                                 |     | 18"                         | 24"          | 59 1/2"     | 29 3/4"    | 41"            | 165                   |
| C-3-2424                                 |     | 24"                         | 24"          | 77 1/2"     | 29 3/4"    | 41"            | 183                   |

**SINK SPECIFICATIONS:**

- TOP:** 16 GA. 300 Series Stainless Steel
- SINK BOWLS:** 16 GA. 300 Series Stainless Steel
- LEGS:** 1 5/8" Diameter Stainless Steel Tubing

**CONSTRUCTION:**

- ◆ Fully welded, Seamless, Polished to #4 Finish
- ◆ Sink Top has 3/4" Formed Radius with 1 3/4" 180 Degree Roll on Front and Ends
- ◆ S/S Adjustable Bullet Feet
- ◆ Crumb Cup Drain 1 1/2" IPS
- ◆ 8" On Center Faucet Holes
- ◆ Ships with (3) Wall Mount "Z" Clip
- ◆ (2) Sets of Faucet Holes on Bowls Greater Than 18" Long
- ◆ Integral 10" Tall Backsplash