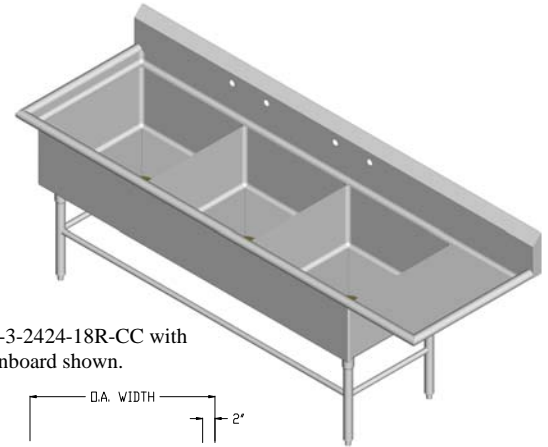
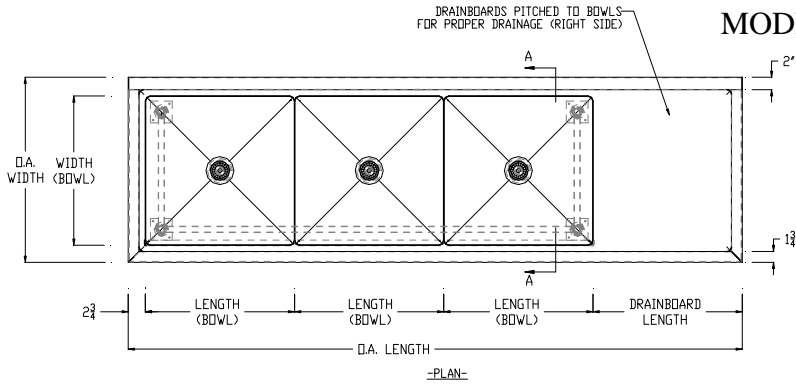


**THREE COMPARTMENT SINKS  
 W/ ONE DRAINBOARD & THREE SIDED CROSS BRACING**

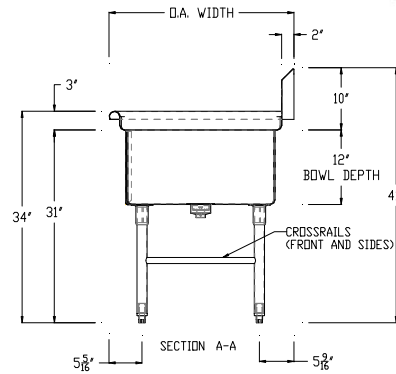
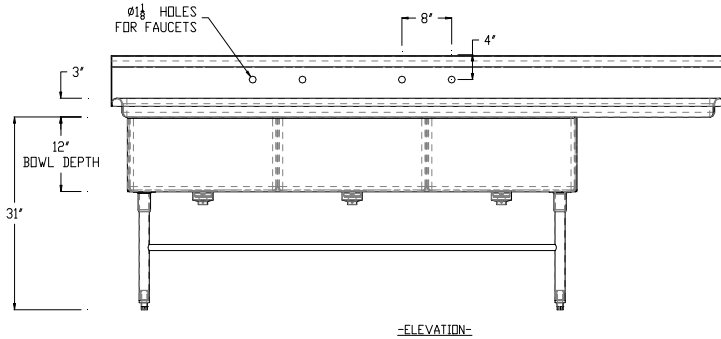
PROJECT#: \_\_\_\_\_

ITEM# \_\_\_\_\_

MODEL# \_\_\_\_\_



Model # C-3-2424-18R-CC with Right Drainboard shown.



THREE COMPARTMENT SINKS W/ ONE DRAINBOARD AND THREE SIDED CROSS BRACING							
MODEL#	QTY	PRODUCT DIMENSIONS (INCHES)					
		LENGTH (BOWL)	WIDTH (BOWL)	DRAINBOARD LENGTH	O.A. LENGTH	O.A. WIDTH	OVERALL HEIGHT
C-3-1618-18R-CC		16"	18"	18" ON RIGHT	68 3/4"	23 3/4"	41"
C-3-1618-18L-CC		16"	18"	18" ON LEFT	68 3/4"	23 3/4"	41"
C-3-1618-24R-CC		16"	18"	24" ON RIGHT	74 3/4"	23 3/4"	41"
C-3-1618-24L-CC		16"	18"	24" ON LEFT	74 3/4"	23 3/4"	41"
C-3-1824-18R-CC		18"	24"	18" ON RIGHT	74 3/4"	29 3/4"	41"
C-3-1824-18L-CC		18"	24"	18" ON LEFT	74 3/4"	29 3/4"	41"
C-3-1824-24R-CC		18"	24"	24" ON RIGHT	80 3/4"	29 3/4"	41"
C-3-1824-24L-CC		18"	24"	24" ON LEFT	80 3/4"	29 3/4"	41"
C-3-2424-18R-CC		24"	24"	18" ON RIGHT	92 3/4"	29 3/4"	41"
C-3-2424-18L-CC		24"	24"	18" ON LEFT	92 3/4"	29 3/4"	41"
C-3-2424-24R-CC		24"	24"	24" ON RIGHT	98 3/4"	29 3/4"	41"
C-3-2424-24L-CC		24"	24"	24" ON LEFT	98 3/4"	29 3/4"	41"
C-3-2030-20R-CC		20"	30"	20" ON RIGHT	82 3/4"	35 3/4"	41"
C-3-2030-20L-CC		20"	30"	20" ON LEFT	82 3/4"	35 3/4"	41"
C-3-2030-24R-CC		20"	30"	24" ON RIGHT	86 3/4"	35 3/4"	41"
C-3-2030-24L-CC		20"	30"	24" ON LEFT	86 3/4"	35 3/4"	41"

**SINK SPECIFICATIONS:**

- TOP:** 16 GA. 300 Series Stainless Steel
- SINK BOWLS:** 16 GA. 300 Series Stainless Steel
- CROSS BRACING:** 1" Diameter Stainless Steel Welded To Legs
- LEGS:** 1 5/8" Diameter Stainless Steel Tubing

**CONSTRUCTION:**

- ◆ Fully welded, Seamless, Polished to #4 Finish
- ◆ Sink Top has 3/4" Formed Radius with 1 3/4" 180 Degree Roll on Front and Ends
- ◆ S/S Adjustable Bullet Feet
- ◆ Crumb Cup Drain 1 1/2" IPS
- ◆ 8" On Center Faucet Holes
- ◆ Ships with (3) Wall Mount "Z" Clip
- ◆ (2) Sets of Faucet Holes on Bowls Greater Than 18" Long
- ◆ Integral 10" Tall Backsplash