

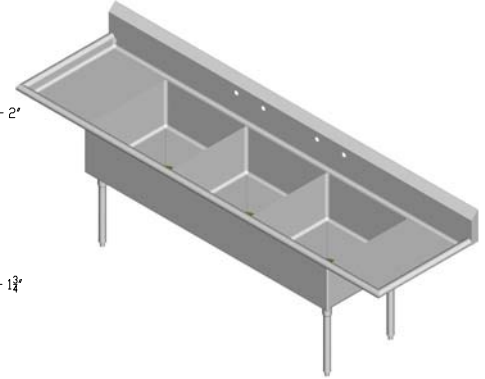
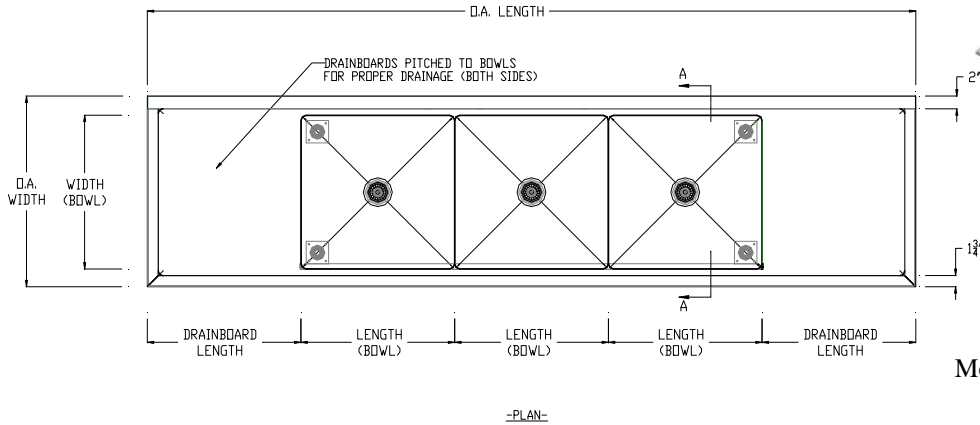


**THREE COMPARTMENT SINKS**  
**W/ TWO DRAINBOARDS**

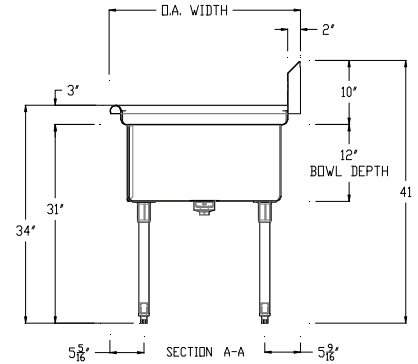
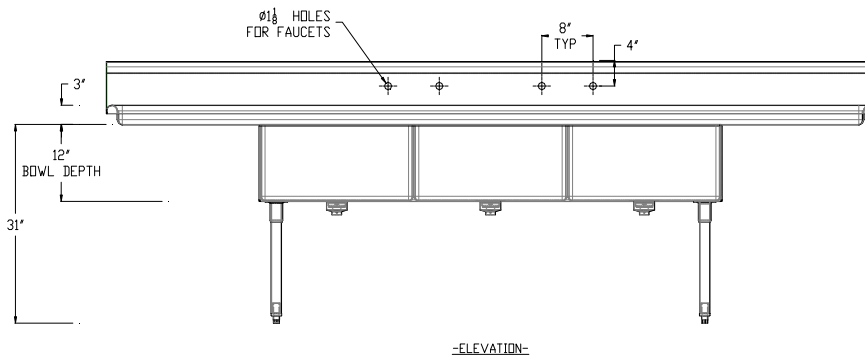
PROJECT#: \_\_\_\_\_

ITEM# \_\_\_\_\_

MODEL# \_\_\_\_\_



Model # C-3-2424-18D Shown



THREE COMPARTMENT SINKS W/ TWO DRAINBOARDS								
MODEL#	QTY	PRODUCT DIMENSIONS (INCHES)						SHIPPING WEIGHT (LBS)
		LENGTH (BOWL)	WIDTH (BOWL)	DRAINBOARD LENGTH	O.A. LENGTH	O.A. WIDTH	OVERALL HEIGHT	
C-3-1618-18D		16"	18"	18"	84"	23 3/4"	41"	190
C-3-1618-24D		16"	18"	24"	96"	23 3/4"	41"	206
C-3-1824-18D		18"	24"	18"	90"	29 3/4"	41"	216
C-3-1824-24D		18"	24"	24"	102"	29 3/4"	41"	231
C-3-2424-18D		24"	24"	18"	108"	29 3/4"	41"	245
C-3-2424-24D		24"	24"	24"	120"	29 3/4"	41"	254
C-3-2030-20D		20"	30"	20"	100"	35 3/4"	41"	263
C-3-2030-24D		20"	30"	24"	108"	35 3/4"	41"	273
C-3-2430-24D		24"	30"	24"	120"	35 3/4"	41"	281
C-3-2430-30D		24"	30"	30"	132"	35 3/4"	41"	291

**SINK SPECIFICATIONS:**

**TOP:** 16 GA. 300 Series Stainless Steel

**SINK BOWLS:** 16 GA. 300 Series Stainless Steel

**LEGS:** 1 5/8" Diameter Stainless Steel Tubing

**CONSTRUCTION:**

- ◆ Fully welded, Seamless, Polished to #4 Finish
- ◆ Sink Top has 3/4" Formed Radius with 1 3/4" 180 Degree Roll on Front and Ends
- ◆ S/S Adjustable Bullet Feet
- ◆ Crumb Cup Drain 1 1/2" IPS
- ◆ 8" On Center Faucet Holes
- ◆ Ships with (3) Wall Mount "Z" Clip
- ◆ (2) Sets of Faucet Holes on Bowls Greater Than 18" Long
- ◆ Integral 10" Tall Backsplash