



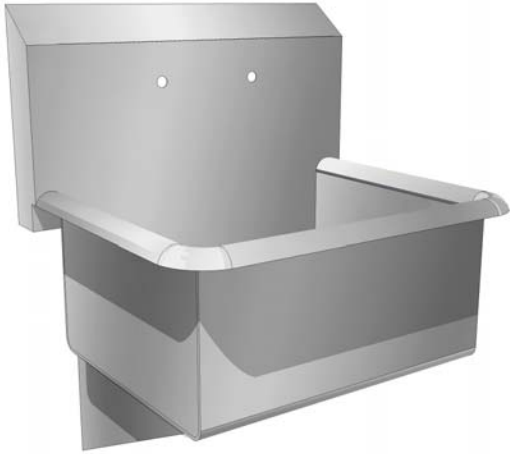
SERVICE WASH-UP SINKS

WSS SERIES

PROJECT#: _____

ITEM# _____

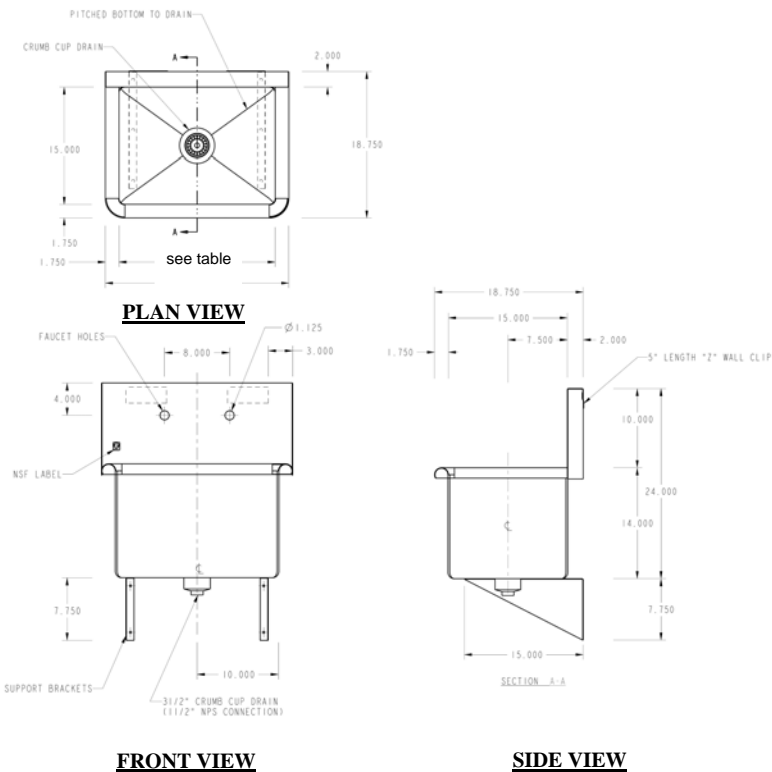
MODEL# _____



SERVICE WASH-UP SINKS

SPECIFICATIONS:

A multipurpose sink fabricated in 16 gauge 304 type stainless steel. Wall mounted with cantilevered and flush mount wall brackets to provide maximum support. The sanitary design includes 1 3/4" rolled rim, 3/4" interior cove corners for easy cleaning and maintenance.



FEATURES:

- ◆ NSF approved, listed and labeled Sanitary design
- ◆ Engineered for use in cleaning, food prep and medical environments
- ◆ 14 gauge 304 type stainless steel fabrication available
- ◆ Units available with integral drainboards
- ◆ Complete line of faucets and valves available
- ◆ Custom configurations available

MECHANICAL SPECIFICATIONS:

- ◆ Standard 3 1/2" crumb cup drain with basket strainer. 1 1/2" NPS connection
- ◆ 10" high integral backsplash with 2" return to the wall at 45 degree angle
- ◆ Faucet holes drilled through the backsplash, 8" on center
- ◆ Cantilevered and flush mount wall brackets for installation
- ◆ Heavy-duty 16 gauge 304 series stainless steel material
- ◆ Fully welded, seamless, polished fabrication

Model No.	Bowl ID	O.A.
WSS-2015	20"x15"x14"	23 1/2" x 18 3/4"
WSS-2216	22"x16"x14"	25 1/2" x 19 3/4"
WSS-2816	28"x16"x14"	31 1/2" x 19 3/4"