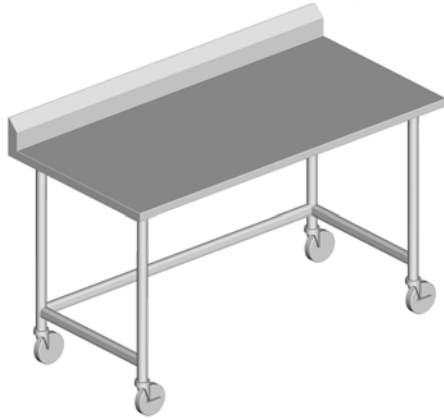


PROJECT#: _____

ITEM# _____

MODEL# _____



SPECIFICATIONS:

ECONOMY— ECCF1-Series: 400 Series Stainless Top

- TOP:** 16 GA.
400 Series Stainless
- CROSS BRACING:** 1" Diameter
Tubular Stainless Steel
- LEGS:** 1 5/8" Diameter
Tubular Stainless Steel
- REINFORCING:** Formed Channel Fastened to
Top. Legs Welded to Channel

STANDARD— SCCF1-Series: 300 Series Stainless Top

- TOP:** 16 GA.
300 Series Stainless
- CROSS BRACING:** 1" Diameter
Tubular Stainless Steel
- LEGS:** 1 5/8" Diameter
Tubular Stainless Steel
- REINFORCING:** Formed Channel Fastened to
Top. Legs Welded to Channel

HEAVY DUTY— HCCF1-Series: 300 Series Stainless Top

- TOP:** 14 GA.
300 Series Stainless
- CROSS BRACING:** 1" Diameter
Tubular Stainless Steel
- LEGS:** 1 5/8" Diameter
Tubular Stainless Steel
- REINFORCING:** Formed Channel Fastened to
Top. Legs Welded to Channel

CONSTRUCTION:

- ◆ All Table Connection Points Fully Welded for Maximum Rigidity and Long Life
- ◆ Sound Deadening Between Top and Reinforcing Channel
- ◆ S/S Cross Bracing Welded to Legs
- ◆ Table is Polished to #3 Finish
- ◆ Working Height 36"
- ◆ Casters Rated at 250 Lbs each.



- Amtekco Industries - Columbus, OH —Phone: (800) 336-4677
- N. Wasserstrom & Sons - Columbus, OH —Phone: (800) 444-4697
- DCS IV - Peoria, AZ—Phone: (800) 592-3274
- GEN III - Fountain Inn, SC—Phone: (800)673-3339
- GKS - Garland, TX—Phone (972) 485-4579

SPECIFICATIONS SUBJECT TO CHANGE WITHOUT NOTICE 01/09

ECONOMY - ECCF1 - SERIES						
24" WIDE	QTY	30" WIDE	QTY	36" WIDE	QTY	LENGTH (INCHES)
ECCF1-2424		ECCF1-3024		ECCF1-3624		24
ECCF1-2430		ECCF1-3030		ECCF1-3630		30
ECCF1-2436		ECCF1-3036		ECCF1-3636		36
ECCF1-2442		ECCF1-3042		ECCF1-3642		42
ECCF1-2448		ECCF1-3048		ECCF1-3648		48
ECCF1-2454		ECCF1-3054		ECCF1-3654		54
ECCF1-2460		ECCF1-3060		ECCF1-3660		60
ECCF1-2466		ECCF1-3066		ECCF1-3666		66
ECCF1-2472		ECCF1-3072		ECCF1-3672		72
ECCF1-2478		ECCF1-3078		ECCF1-3678		78
ECCF1-2484		ECCF1-3084		ECCF1-3684		84
ECCF1-2490		ECCF1-3090		ECCF1-3690		90
ECCF1-2496		ECCF1-3096		ECCF1-3696		96
ECCF1-24102		ECCF1-30102		ECCF1-36102		102
ECCF1-24108		ECCF1-30108		ECCF1-36108		108
ECCF1-24114		ECCF1-30114		ECCF1-36114		114
ECCF1-24120		ECCF1-30120		ECCF1-36120		120

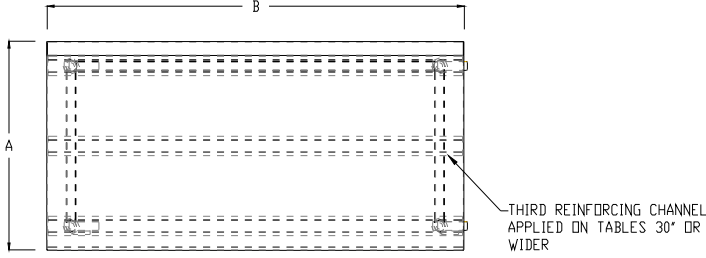
STANDARD - SCCF1 - SERIES						
24" WIDE	QTY	30" WIDE	QTY	36" WIDE	QTY	LENGTH (INCHES)
SCCF1-2424		SCCF1-3024		SCCF1-3624		24
SCCF1-2430		SCCF1-3030		SCCF1-3630		30
SCCF1-2436		SCCF1-3036		SCCF1-3636		36
SCCF1-2442		SCCF1-3042		SCCF1-3642		42
SCCF1-2448		SCCF1-3048		SCCF1-3648		48
SCCF1-2454		SCCF1-3054		SCCF1-3654		54
SCCF1-2460		SCCF1-3060		SCCF1-3660		60
SCCF1-2466		SCCF1-3066		SCCF1-3666		66
SCCF1-2472		SCCF1-3072		SCCF1-3672		72
SCCF1-2478		SCCF1-3078		SCCF1-3678		78
SCCF1-2484		SCCF1-3084		SCCF1-3684		84
SCCF1-2490		SCCF1-3090		SCCF1-3690		90
SCCF1-2496		SCCF1-3096		SCCF1-3696		96
SCCF1-24102		SCCF1-30102		SCCF1-36102		102
SCCF1-24108		SCCF1-30108		SCCF1-36108		108
SCCF1-24114		SCCF1-30114		SCCF1-36114		114
SCCF1-24120		SCCF1-30120		SCCF1-36120		120

HEAVY DUTY - HCCF1 - SERIES						
24" WIDE	QTY	30" WIDE	QTY	36" WIDE	QTY	LENGTH (INCHES)
HCCF1-2424		HCCF1-3024		HCCF1-3624		24
HCCF1-2430		HCCF1-3030		HCCF1-3630		30
HCCF1-2436		HCCF1-3036		HCCF1-3636		36
HCCF1-2442		HCCF1-3042		HCCF1-3642		42
HCCF1-2448		HCCF1-3048		HCCF1-3648		48
HCCF1-2454		HCCF1-3054		HCCF1-3654		54
HCCF1-2460		HCCF1-3060		HCCF1-3660		60
HCCF1-2466		HCCF1-3066		HCCF1-3666		66
HCCF1-2472		HCCF1-3072		HCCF1-3672		72
HCCF1-2478		HCCF1-3078		HCCF1-3678		78
HCCF1-2484		HCCF1-3084		HCCF1-3684		84
HCCF1-2490		HCCF1-3090		HCCF1-3690		90
HCCF1-2496		HCCF1-3096		HCCF1-3696		96
HCCF1-24102		HCCF1-30102		HCCF1-36102		102
HCCF1-24108		HCCF1-30108		HCCF1-36108		108
HCCF1-24114		HCCF1-30114		HCCF1-36114		114
HCCF1-24120		HCCF1-30120		HCCF1-36120		120

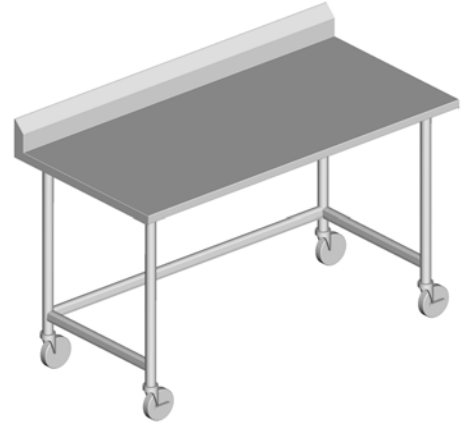
PROJECT#: _____

ITEM# _____

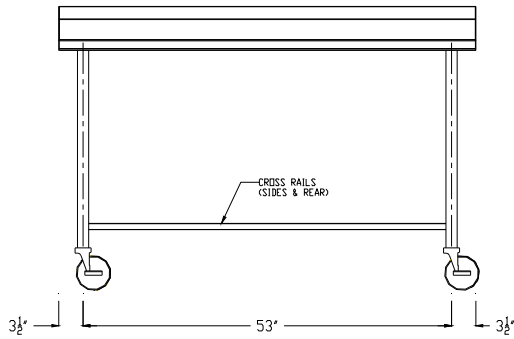
MODEL# _____



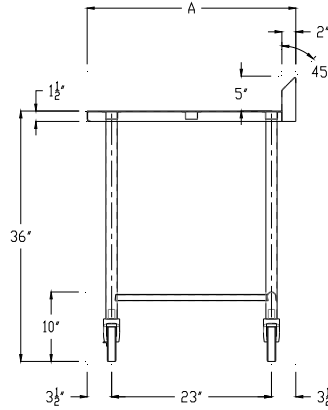
PLAN VIEW



◆ Tables At or Above 78" Will Require (3) Sets of Legs.



ELEVATION



SIDE VIEW

A WIDTH	B LENGTH	ECCF1 - SERIES 16 GA. 400 SERIES S/S TOP & 18 GA. 400 SERIES S/S UNDERSHELF	SCCF1 - SERIES 16 GA. 300 SERIES S/S TOP & 18 GA. 300 SERIES S/S UNDERSHELF	HCCF1 - SERIES 14 GA. 300 SERIES S/S TOP & 16 GA. 300 SERIES S/S UNDERSHELF	#Of Legs	Product Weight (lbs)
24" WIDE						
24	24	ECCF1-2424	SCCF1-2424	HCCF1-2424	4	40
24	30	ECCF1-2430	SCCF1-2430	HCCF1-2430	4	43
24	36	ECCF1-2436	SCCF1-2436	HCCF1-2436	4	47
24	48	ECCF1-2448	SCCF1-2448	HCCF1-2448	4	58
24	60	ECCF1-2460	SCCF1-2460	HCCF1-2460	4	68
24	72	ECCF1-2472	SCCF1-2472	HCCF1-2472	4	78
24	84	ECCF1-2484	SCCF1-2484	HCCF1-2484	6	90
24	96	ECCF1-2496	SCCF1-2496	HCCF1-2496	6	110
24	108	ECCF1-24108	SCCF1-24108	HCCF1-24108	6	126
24	120	ECCF1-24120	SCCF1-24120	HCCF1-24120	6	143
30" WIDE						
30	24	ECCF1-3024	SCCF1-3024	HCCF1-3024	4	43
30	30	ECCF1-3030	SCCF1-3030	HCCF1-3030	4	47
30	36	ECCF1-3036	SCCF1-3036	HCCF1-3036	4	49
30	48	ECCF1-3048	SCCF1-3048	HCCF1-3048	4	65
30	60	ECCF1-3060	SCCF1-3060	HCCF1-3060	4	76
30	72	ECCF1-3072	SCCF1-3072	HCCF1-3072	4	88
30	84	ECCF1-3084	SCCF1-3084	HCCF1-3084	6	101
30	96	ECCF1-3096	SCCF1-3096	HCCF1-3096	6	121
30	108	ECCF1-30108	SCCF1-30108	HCCF1-30108	6	141
30	120	ECCF1-30120	SCCF1-30120	HCCF1-30120	6	160
36" WIDE						
36	24	ECCF1-3624	SCCF1-3624	HCCF1-3624	4	45
36	30	ECCF1-3630	SCCF1-3630	HCCF1-3630	4	53
36	36	ECCF1-3636	SCCF1-3636	HCCF1-3636	4	61
36	48	ECCF1-3648	SCCF1-3648	HCCF1-3648	4	72
36	60	ECCF1-3660	SCCF1-3660	HCCF1-3660	4	84
36	72	ECCF1-3672	SCCF1-3672	HCCF1-3672	4	100
36	84	ECCF1-3684	SCCF1-3684	HCCF1-3684	6	116
36	96	ECCF1-3696	SCCF1-3696	HCCF1-3696	6	135
36	108	ECCF1-36108	SCCF1-36108	HCCF1-36108	6	160
36	120	ECCF1-36120	SCCF1-36120	HCCF1-36120	6	183