

STAINLESS STEEL WORKTABLES

CCF-SERIES— FLAT TOP OPEN BASE WORKTABLE W/ CASTERS

PROJECT#: _____

ITEM# _____

MODEL# _____

SPECIFICATIONS:

ECONOMY— EDCF-Series: 400 Series Stainless Top

- TOP:** 16 GA.
400 Series Stainless
- CROSS BRACING:** 1" Diameter
Tubular Stainless Steel
- LEGS:** 1 5/8" Diameter
Tubular Stainless Steel
- REINFORCING:** Formed Channel Fastened to
Top. Legs Welded to Channel

STANDARD— SCCF-Series: 300 Series Stainless Top

- TOP:** 16 GA.
300 Series Stainless
- CROSS BRACING:** 1" Diameter
Tubular Stainless Steel
- LEGS:** 1 5/8" Diameter
Tubular Stainless Steel
- REINFORCING:** Formed Channel Fastened to
Top. Legs Welded to Channel

HEAVY DUTY— HCCF-Series: 300 Series Stainless Top

- TOP:** 14 GA.
300 Series Stainless
- CROSS BRACING:** 1" Diameter
Tubular Stainless Steel
- LEGS:** 1 5/8" Diameter
Tubular Stainless Steel
- REINFORCING:** Formed Channel Fastened to
Top. Legs Welded to Channel

CONSTRUCTION:

- ◆ All Table Connection Points Fully Welded for Maximum Rigidity and Long Life
- ◆ Sound Deadening Between Top and Reinforcing Channel
- ◆ S/S Cross Bracing Welded to Legs
- ◆ Table is Polished to #3 Finish
- ◆ Working Height 36"
- ◆ Casters Rated at 250 Lbs each.

ECONOMY - EDCF - SERIES						
24" WIDE	QTY	30" WIDE	QTY	36" WIDE	QTY	LENGTH (INCHES)
ECCF-2424		ECCF-3024		ECCF-3624		24
ECCF-2430		ECCF-3030		ECCF-3630		30
ECCF-2436		ECCF-3036		ECCF-3636		36
ECCF-2442		ECCF-3042		ECCF-3642		42
ECCF-2448		ECCF-3048		ECCF-3648		48
ECCF-2454		ECCF-3054		ECCF-3654		54
ECCF-2460		ECCF-3060		ECCF-3660		60
ECCF-2466		ECCF-3066		ECCF-3666		66
ECCF-2472		ECCF-3072		ECCF-3672		72
ECCF-2478		ECCF-3078		ECCF-3678		78
ECCF-2484		ECCF-3084		ECCF-3684		84
ECCF-2490		ECCF-3090		ECCF-3690		90
ECCF-2496		ECCF-3096		ECCF-3696		96
ECCF-24102		ECCF-30102		ECCF-36102		102
ECCF-24108		ECCF-30108		ECCF-36108		108
ECCF-24114		ECCF-30114		ECCF-36114		114
ECCF-24120		ECCF-30120		ECCF-36120		120

STANDARD - SCCF - SERIES						
24" WIDE	QTY	30" WIDE	QTY	36" WIDE	QTY	LENGTH (INCHES)
SCCF-2424		SCCF-3024		SCCF-3624		24
SCCF-2430		SCCF-3030		SCCF-3630		30
SCCF-2436		SCCF-3036		SCCF-3636		36
SCCF-2442		SCCF-3042		SCCF-3642		42
SCCF-2448		SCCF-3048		SCCF-3648		48
SCCF-2454		SCCF-3054		SCCF-3654		54
SCCF-2460		SCCF-3060		SCCF-3660		60
SCCF-2466		SCCF-3066		SCCF-3666		66
SCCF-2472		SCCF-3072		SCCF-3672		72
SCCF-2478		SCCF-3078		SCCF-3678		78
SCCF-2484		SCCF-3084		SCCF-3684		84
SCCF-2490		SCCF-3090		SCCF-3690		90
SCCF-2496		SCCF-3096		SCCF-3696		96
SCCF-24102		SCCF-30102		SCCF-36102		102
SCCF-24108		SCCF-30108		SCCF-36108		108
SCCF-24114		SCCF-30114		SCCF-36114		114
SCCF-24120		SCCF-30120		SCCF-36120		120

HEAVY DUTY - HCCF - SERIES						
24" WIDE	QTY	30" WIDE	QTY	36" WIDE	QTY	LENGTH (INCHES)
HCCF-2424		HCCF-3024		HCCF-3624		24
HCCF-2430		HCCF-3030		HCCF-3630		30
HCCF-2436		HCCF-3036		HCCF-3636		36
HCCF-2442		HCCF-3042		HCCF-3642		42
HCCF-2448		HCCF-3048		HCCF-3648		48
HCCF-2454		HCCF-3054		HCCF-3654		54
HCCF-2460		HCCF-3060		HCCF-3660		60
HCCF-2466		HCCF-3066		HCCF-3666		66
HCCF-2472		HCCF-3072		HCCF-3672		72
HCCF-2478		HCCF-3078		HCCF-3678		78
HCCF-2484		HCCF-3084		HCCF-3684		84
HCCF-2490		HCCF-3090		HCCF-3690		90
HCCF-2496		HCCF-3096		HCCF-3696		96
HCCF-24102		HCCF-30102		HCCF-36102		102
HCCF-24108		HCCF-30108		HCCF-36108		108
HCCF-24114		HCCF-30114		HCCF-36114		114
HCCF-24120		HCCF-30120		HCCF-36120		120



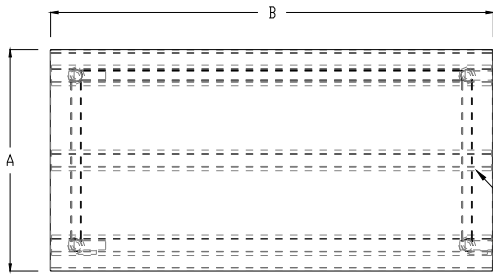
- Amtekco Industries - Columbus, OH —Phone: (800) 336-4677
- N. Wasserstrom & Sons - Columbus, OH —Phone: (800) 444-4697
- DCS IV - Peoria, AZ—Phone: (800) 592-3274
- GEN III - Fountain Inn, SC—Phone: (800)673-3339
- GKS - Garland, TX—Phone (972) 485-4579

STAINLESS STEEL WORKTABLES CCF-SERIES— FLAT TOP OPEN BASE WORKTABLE W/ CASTERS

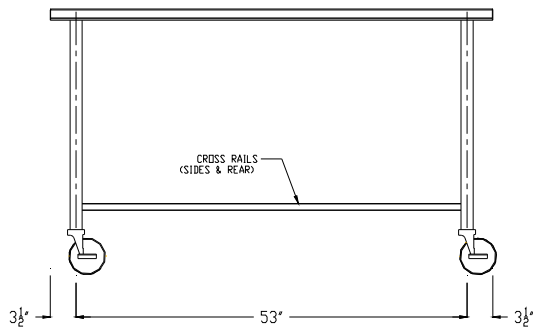
PROJECT#: _____

ITEM# _____

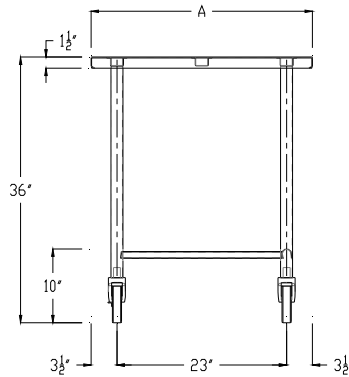
MODEL# _____



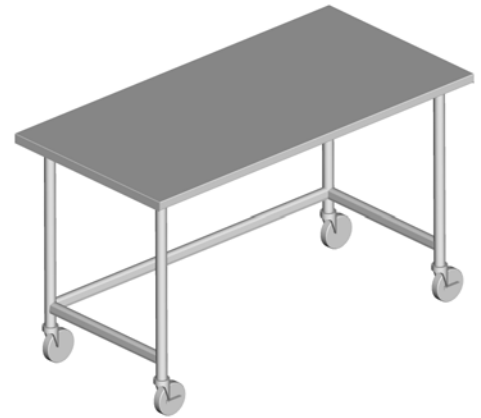
PLAN VIEW



ELEVATION



SIDE VIEW



◆ Tables At or Above 78" Will Require (3) Sets of Legs.

A WIDTH	B LENGTH	ECCF - SERIES 16 GA. 400 SERIES S/S TOP & 18 GA. 400 SERIES S/S UNDERSHELF	SCCF - SERIES 16 GA. 300 SERIES S/S TOP & 18 GA. 300 SERIES S/S UNDERSHELF	HCCF - SERIES 14 GA. 300 SERIES S/S TOP & 16 GA. 300 SERIES S/S UNDERSHELF	#Of Legs	Product Weight (lbs)
24" WIDE						
24	24	ECCF-2424	SCCF-2424	HCCF-2424	4	40
24	30	ECCF-2430	SCCF-2430	HCCF-2430	4	43
24	36	ECCF-2436	SCCF-2436	HCCF-2436	4	47
24	48	ECCF-2448	SCCF-2448	HCCF-2448	4	58
24	60	ECCF-2460	SCCF-2460	HCCF-2460	4	68
24	72	ECCF-2472	SCCF-2472	HCCF-2472	4	78
24	84	ECCF-2484	SCCF-2484	HCCF-2484	6	90
24	96	ECCF-2496	SCCF-2496	HCCF-2496	6	110
24	108	ECCF-24108	SCCF-24108	HCCF-24108	6	126
24	120	ECCF-24120	SCCF-24120	HCCF-24120	6	143
30" WIDE						
30	24	ECCF-3024	SCCF-3024	HCCF-3024	4	43
30	30	ECCF-3030	SCCF-3030	HCCF-3030	4	47
30	36	ECCF-3036	SCCF-3036	HCCF-3036	4	49
30	48	ECCF-3048	SCCF-3048	HCCF-3048	4	65
30	60	ECCF-3060	SCCF-3060	HCCF-3060	4	76
30	72	ECCF-3072	SCCF-3072	HCCF-3072	4	88
30	84	ECCF-3084	SCCF-3084	HCCF-3084	6	101
30	96	ECCF-3096	SCCF-3096	HCCF-3096	6	121
30	108	ECCF-30108	SCCF-30108	HCCF-30108	6	141
30	120	ECCF-30120	SCCF-30120	HCCF-30120	6	160
36" WIDE						
36	24	ECCF-3624	SCCF-3624	HCCF-3624	4	45
36	30	ECCF-3630	SCCF-3630	HCCF-3630	4	53
36	36	ECCF-3636	SCCF-3636	HCCF-3636	4	61
36	48	ECCF-3648	SCCF-3648	HCCF-3648	4	72
36	60	ECCF-3660	SCCF-3660	HCCF-3660	4	84
36	72	ECCF-3672	SCCF-3672	HCCF-3672	4	100
36	84	ECCF-3684	SCCF-3684	HCCF-3684	6	116
36	96	ECCF-3696	SCCF-3696	HCCF-3696	6	135
36	108	ECCF-36108	SCCF-36108	HCCF-36108	6	160
36	120	ECCF-36120	SCCF-36120	HCCF-36120	6	183