

STAINLESS STEEL WORKTABLES

EESF2-SERIES — ENCLOSED WORKTABLE W/ BACKSPLASH, UNDERSHELF & INTERMEDIATE SHELF

PROJECT#: _____

ITEM# _____

MODEL# _____

SPECIFICATIONS:

ECONOMY— EESF2-Series: 400 Series Stainless Top, 400 Series Stainless Body & 400 Series Stainless Shelves

TOP: 16 GA.
400 Series Stainless

SHELVES: 18 GA.
400 Series Stainless

BODY: 20 GA.
400 Series Stainless

LEGS: 1 1/2" Square
Tubular Stainless Steel

STANDARD— SESF2-Series: 300 Series Stainless Top, 300 Series Stainless Body & 300 Series Stainless Shelves

TOP: 16 GA.
300 Series Stainless

SHELVES: 18 GA.
300 Series Stainless

BODY: 20 GA.
300 Series Stainless

LEGS: 1 1/2" Square
Tubular Stainless Steel

HEAVY DUTY— HESF2-Series: 300 Series Stainless Top, 300 Series Stainless Body & 300 Series Stainless Shelves

TOP: 14 GA.
300 Series Stainless

SHELVES: 16 GA.
300 Series Stainless

BODY: 18 GA.
300 Series Stainless

LEGS: 1 1/2" Square
Tubular Stainless Steel

CONSTRUCTION:

- ◆ All Table Connection Points Fully Welded for Maximum Rigidity and Long Life
- ◆ S/S Adjustable Bullet Feet
- ◆ Sound Deadening Between Top and Reinforcing Channel
- ◆ Offsets on Body Ends for Flush Fit
- ◆ S/S Undershef & Intermediate Shelf Welded to Legs
- ◆ Table is Polished to #3 Finish
- ◆ Working Height 35" to 36 1/4"



○ Amtekco Industries - Columbus, OH —Phone: (800) 336-4677

○ N. Wasserstrom & Sons - Columbus, OH —Phone: (800) 444-4697

○ DCS IV - Peoria, AZ—Phone: (800) 592-3274

○ GEN III - Fountain Inn, SC—Phone: (800)673-3339

○ GKS - Garland, TX—Phone (972) 485-4579

SPECIFICATIONS SUBJECT TO CHANGE WITHOUT NOTICE 01/09

ECONOMY - EESF2 - SERIES						
24" WIDE	QTY	30" WIDE	QTY	36" WIDE	QTY	LENGTH (INCHES)
EESF2-2424		EESF2-3024		EESF2-3624		24
EESF2-2430		EESF2-3030		EESF2-3630		30
EESF2-2436		EESF2-3036		EESF2-3636		36
EESF2-2442		EESF2-3042		EESF2-3642		42
EESF2-2448		EESF2-3048		EESF2-3648		48
EESF2-2454		EESF2-3054		EESF2-3654		54
EESF2-2460		EESF2-3060		EESF2-3660		60
EESF2-2466		EESF2-3066		EESF2-3666		66
EESF2-2472		EESF2-3072		EESF2-3672		72
EESF2-2478		EESF2-3078		EESF2-3678		78
EESF2-2484		EESF2-3084		EESF2-3684		84
EESF2-2490		EESF2-3090		EESF2-3690		90
EESF2-2496		EESF2-3096		EESF2-3696		96
EESF2-24102		EESF2-30102		EESF2-36102		102
EESF2-24108		EESF2-30108		EESF2-36108		108
EESF2-24114		EESF2-30114		EESF2-36114		114
EESF2-24120		EESF2-30120		EESF2-36120		120

STANDARD - SESF2 - SERIES						
24" WIDE	QTY	30" WIDE	QTY	36" WIDE	QTY	LENGTH (INCHES)
SESF2-2424		SESF2-3024		SESF2-3624		24
SESF2-2430		SESF2-3030		SESF2-3630		30
SESF2-2436		SESF2-3036		SESF2-3636		36
SESF2-2442		SESF2-3042		SESF2-3642		42
SESF2-2448		SESF2-3048		SESF2-3648		48
SESF2-2454		SESF2-3054		SESF2-3654		54
SESF2-2460		SESF2-3060		SESF2-3660		60
SESF2-2466		SESF2-3066		SESF2-3666		66
SESF2-2472		SESF2-3072		SESF2-3672		72
SESF2-2478		SESF2-3078		SESF2-3678		78
SESF2-2484		SESF2-3084		SESF2-3684		84
SESF2-2490		SESF2-3090		SESF2-3690		90
SESF2-2496		SESF2-3096		SESF2-3696		96
SESF2-24102		SESF2-30102		SESF2-36102		102
SESF2-24108		SESF2-30108		SESF2-36108		108
SESF2-24114		SESF2-30114		SESF2-36114		114
SESF2-24120		SESF2-30120		SESF2-36120		120

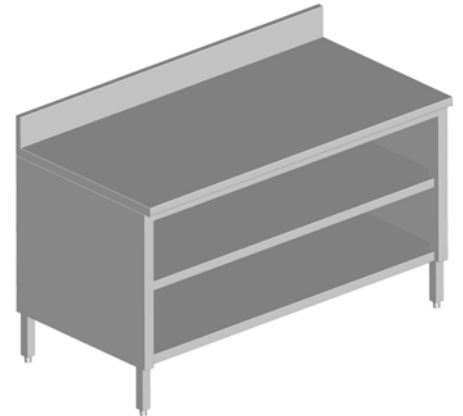
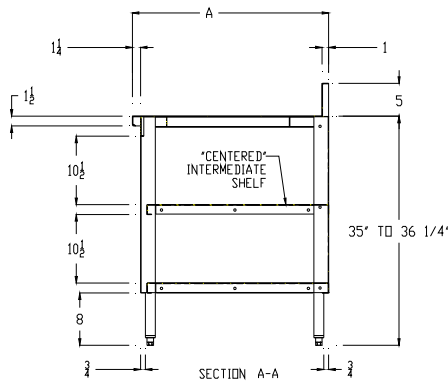
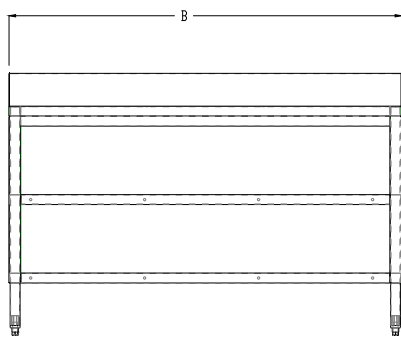
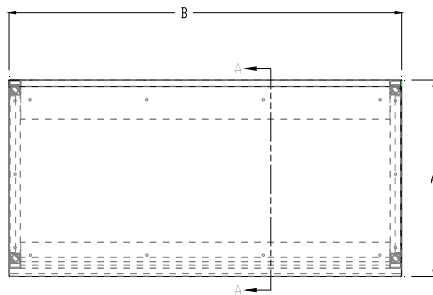
HEAVY DUTY - HESF2- SERIES						
24" WIDE	QTY	30" WIDE	QTY	36" WIDE	QTY	LENGTH (INCHES)
HESF2-2424		HESF2-3024		HESF2-3624		24
HESF2-2430		HESF2-3030		HESF2-3630		30
HESF2-2436		HESF2-3036		HESF2-3636		36
HESF2-2442		HESF2-3042		HESF2-3642		42
HESF2-2448		HESF2-3048		HESF2-3648		48
HESF2-2454		HESF2-3054		HESF2-3654		54
HESF2-2460		HESF2-3060		HESF2-3660		60
HESF2-2466		HESF2-3066		HESF2-3666		66
HESF2-2472		HESF2-3072		HESF2-3672		72
HESF2-2478		HESF2-3078		HESF2-3678		78
HESF2-2484		HESF2-3084		HESF2-3684		84
HESF2-2490		HESF2-3090		HESF2-3690		90
HESF2-2496		HESF2-3096		HESF2-3696		96
HESF2-24102		HESF2-30102		HESF2-36102		102
HESF2-24108		HESF2-30108		HESF2-36108		108
HESF2-24114		HESF2-30114		HESF2-36114		114
HESF2-24120		HESF2-30120		HESF2-36120		120

STAINLESS STEEL WORKTABLES ESF2-SERIES — ENCLOSED WORKTABLE W/ BACKSPLASH, UNDERSHELF & INTERMEDIATE SHELF

PROJECT#: _____

ITEM# _____

MODEL# _____



- ◆ 35" Working Height is with Adj. Bullet Feet in Shortest Position
- ◆ Tables At or Above 78" Will Require (3) Sets of Legs.

A WIDTH	B LENGTH	EESF2 - SERIES 16 GA. 400 SERIES S/S TOP & 18 GA. 400 SERIES S/S UNDERSHELF	SESF2 - SERIES 16 GA. 300 SERIES S/S TOP & 18 GA. 300 SERIES S/S UNDERSHELF	HESF2 - SERIES 14 GA. 300 SERIES S/S TOP & 16 GA. 300 SERIES S/S UNDERSHELF	#Of Legs	Product Weight (lbs)
24" WIDE						
24	24	EESF2-2424	SESF2-2424	HESF2-2424	4	96
24	30	EESF2-2430	SESF2-2430	HESF2-2430	4	118
24	36	EESF2-2436	SESF2-2436	HESF2-2436	4	139
24	48	EESF2-2448	SESF2-2448	HESF2-2448	4	166
24	60	EESF2-2460	SESF2-2460	HESF2-2460	4	194
24	72	EESF2-2472	SESF2-2472	HESF2-2472	4	222
24	84	EESF2-2484	SESF2-2484	HESF2-2484	6	249
24	96	EESF2-2496	SESF2-2496	HESF2-2496	6	277
24	108	EESF2-24108	SESF2-24108	HESF2-24108	6	304
24	120	EESF2-24120	SESF2-24120	HESF2-24120	6	332
30" WIDE						
30	24	EESF2-3024	SESF2-3024	HESF2-3024	4	89
30	30	EESF2-3030	SESF2-3030	HESF2-3030	4	113
30	36	EESF2-3036	SESF2-3036	HESF2-3036	4	136
30	48	EESF2-3048	SESF2-3048	HESF2-3048	4	165
30	60	EESF2-3060	SESF2-3060	HESF2-3060	4	195
30	72	EESF2-3072	SESF2-3072	HESF2-3072	4	225
30	84	EESF2-3084	SESF2-3084	HESF2-3084	6	254
30	96	EESF2-3096	SESF2-3096	HESF2-3096	6	284
30	108	EESF2-30108	SESF2-30108	HESF2-30108	6	313
30	120	EESF2-30120	SESF2-30120	HESF2-30120	6	343
36" WIDE						
36	24	EESF2-3624	SESF2-3624	HESF2-3624	4	114
36	30	EESF2-3630	SESF2-3630	HESF2-3630	4	141
36	36	EESF2-3636	SESF2-3636	HESF2-3636	4	167
36	48	EESF2-3648	SESF2-3648	HESF2-3648	4	199
36	60	EESF2-3660	SESF2-3660	HESF2-3660	4	232
36	72	EESF2-3672	SESF2-3672	HESF2-3672	4	265
36	84	EESF2-3684	SESF2-3684	HESF2-3684	6	297
36	96	EESF2-3696	SESF2-3696	HESF2-3696	6	330
36	108	EESF2-36108	SESF2-36108	HESF2-36108	6	362
36	120	EESF2-36120	SESF2-36120	HESF2-36120	6	395