

SPECIFICATIONS:

ECONOMY—ETF1-Series: 400 Series Stainless Top & 400 Series Stainless Undershelf

TOP: 16 GA.
400 Series Stainless

SHELF: 18 GA.
400 Series Stainless

LEGS: 1 5/8" Diameter
Tubular Stainless Steel

REINFORCING: Formed Channel Fastened to
Top. Legs Welded to Channel

STANDARD—STF1-Series: 300 Series Stainless Top & 300 Series Stainless Undershelf

TOP: 16 GA.
300 Series Stainless

SHELF: 18 GA.
300 Series Stainless

LEGS: 1 5/8" Diameter
Tubular Stainless Steel

REINFORCING: Formed Channel Fastened to
Top. Legs Welded to Channel

HEAVY DUTY—HTF1-Series: 300 Series Stainless Top & 300 Series Stainless Undershelf

TOP: 14 GA.
300 Series Stainless

SHELF: 16 GA.
300 Series Stainless

LEGS: 1 5/8" Diameter
Tubular Stainless Steel

REINFORCING: Formed Channel Fastened to
Top. Legs Welded to Channel

CONSTRUCTION:

- ◆ All Table Connection Points Fully Welded for Maximum Rigidity and Long Life
- ◆ S/S Adjustable Bullet Feet
- ◆ Sound Deadening Between Top and Reinforcing Channel
- ◆ S/S Undershelf Welded to Legs
- ◆ Table is Polished to #3 Finish
- ◆ Working Height 35" to 36 1/4"



STAINLESS STEEL WORKTABLES

TF1-SERIES—TABLE W/ BACKSPLASH & UNDERSHELF

PROJECT#: _____

ITEM# _____

MODEL# _____

ECONOMY - ETF1 - SERIES						
24" WIDE	QTY	30" WIDE	QTY	36" WIDE	QTY	LENGTH (INCHES)
ETF1-2424		ETF1-3024		ETF1-3624		24
ETF1-2430		ETF1-3030		ETF1-3630		30
ETF1-2436		ETF1-3036		ETF1-3636		36
ETF1-2442		ETF1-3042		ETF1-3642		42
ETF1-2448		ETF1-3048		ETF1-3648		48
ETF1-2454		ETF1-3054		ETF1-3654		54
ETF1-2460		ETF1-3060		ETF1-3660		60
ETF1-2466		ETF1-3066		ETF1-3666		66
ETF1-2472		ETF1-3072		ETF1-3672		72
ETF1-2478		ETF1-3078		ETF1-3678		78
ETF1-2484		ETF1-3084		ETF1-3684		84
ETF1-2490		ETF1-3090		ETF1-3690		90
ETF1-2496		ETF1-3096		ETF1-3696		96
ETF1-24102		ETF1-30102		ETF1-36102		102
ETF1-24108		ETF1-30108		ETF1-36108		108
ETF1-24114		ETF1-30114		ETF1-36114		114
ETF1-24120		ETF1-30120		ETF1-36120		120
STANDARD - STF1 - SERIES						
24" WIDE	QTY	30" WIDE	QTY	36" WIDE	QTY	LENGTH (INCHES)
STF1-2424		STF1-3024		STF1-3624		24
STF1-2430		STF1-3030		STF1-3630		30
STF1-2436		STF1-3036		STF1-3636		36
STF1-2442		STF1-3042		STF1-3642		42
STF1-2448		STF1-3048		STF1-3648		48
STF1-2454		STF1-3054		STF1-3654		54
STF1-2460		STF1-3060		STF1-3660		60
STF1-2466		STF1-3066		STF1-3666		66
STF1-2472		STF1-3072		STF1-3672		72
STF1-2478		STF1-3078		STF1-3678		78
STF1-2484		STF1-3084		STF1-3684		84
STF1-2490		STF1-3090		STF1-3690		90
STF1-2496		STF1-3096		STF1-3696		96
STF1-24102		STF1-30102		STF1-36102		102
STF1-24108		STF1-30108		STF1-36108		108
STF1-24114		STF1-30114		STF1-36114		114
STF1-24120		STF1-30120		STF1-36120		120
HEAVY DUTY - HTF1 - SERIES						
24" WIDE	QTY	30" WIDE	QTY	36" WIDE	QTY	LENGTH (INCHES)
HTF1-2424		HTF1-3024		HTF1-3624		24
HTF1-2430		HTF1-3030		HTF1-3630		30
HTF1-2436		HTF1-3036		HTF1-3636		36
HTF1-2442		HTF1-3042		HTF1-3642		42
HTF1-2448		HTF1-3048		HTF1-3648		48
HTF1-2454		HTF1-3054		HTF1-3654		54
HTF1-2460		HTF1-3060		HTF1-3660		60
HTF1-2466		HTF1-3066		HTF1-3666		66
HTF1-2472		HTF1-3072		HTF1-3672		72
HTF1-2478		HTF1-3078		HTF1-3678		78
HTF1-2484		HTF1-3084		HTF1-3684		84
HTF1-2490		HTF1-3090		HTF1-3690		90
HTF1-2496		HTF1-3096		HTF1-3696		96
HTF1-24102		HTF1-30102		HTF1-36102		102
HTF1-24108		HTF1-30108		HTF1-36108		108
HTF1-24114		HTF1-30114		HTF1-36114		114
HTF1-24120		HTF1-30120		HTF1-36120		120

○ Amtekco Industries - Columbus, OH —Phone: (800) 336-4677

○ N. Wasserstrom & Sons - Columbus, OH —Phone: (800) 444-4697

○ DCS IV - Peoria, AZ—Phone: (800) 592-3274

○ GEN III - Fountain Inn, SC—Phone: (800)673-3339

○ GKS - Garland, TX—Phone (972) 485-4579

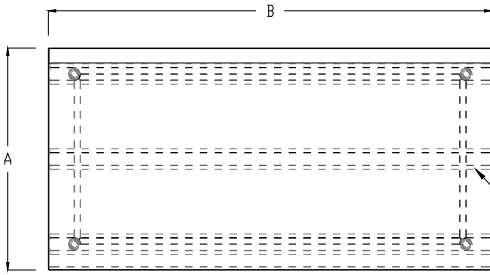
SPECIFICATIONS SUBJECT TO CHANGE WITHOUT NOTICE 01/09

STAINLESS STEEL WORKTABLES TF1-SERIES—TABLE W/ BACKSPLASH & UNDERSHELF

PROJECT#: _____

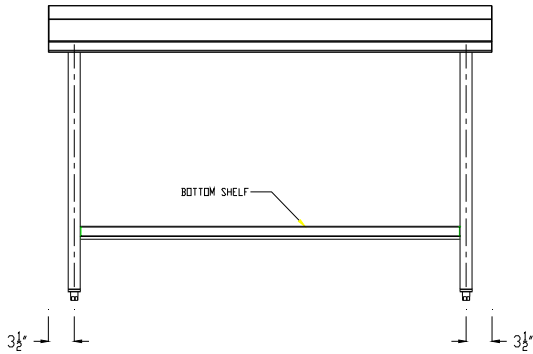
ITEM# _____

MODEL# _____

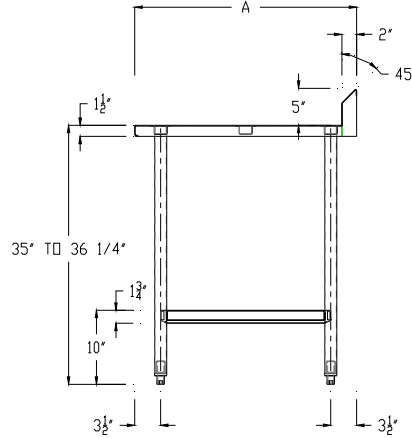


THIRD REINFORCING CHANNEL
APPLIED ON TABLES 30" OR
WIDER

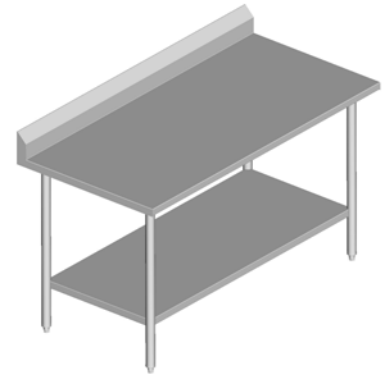
PLAN VIEW



ELEVATION



SIDE VIEW



- ◆ 35" Working Height is with Adj. Bullet Feet in Shortest Position
- ◆ Tables At or Above 78" Will Require (3) Sets of Legs.

A WIDTH	B LENGTH	ETF1 - SERIES 16 GA. 400 SERIES S/S TOP & 18 GA. 400 SERIES S/S UNDERSHELF	STF1 - SERIES 16 GA. 300 SERIES S/S TOP & 18 GA. 300 SERIES S/S UNDERSHELF	HTF1 - SERIES 14 GA. 300 SERIES S/S TOP & 16 GA. 300 SERIES S/S UNDERSHELF	#Of Legs	Product Weight (lbs)
24" WIDE						
24	24	ETF1-2424	STF1-2424	HTF1-2424	4	42
24	30	ETF1-2430	STF1-2430	HTF1-2430	4	45
24	36	ETF1-2436	STF1-2436	HTF1-2436	4	50
24	48	ETF1-2448	STF1-2448	HTF1-2448	4	61
24	60	ETF1-2460	STF1-2460	HTF1-2460	4	71
24	72	ETF1-2472	STF1-2472	HTF1-2472	4	82
24	84	ETF1-2484	STF1-2484	HTF1-2484	6	94
24	96	ETF1-2496	STF1-2496	HTF1-2496	6	114
24	108	ETF1-24108	STF1-24108	HTF1-24108	6	131
24	120	ETF1-24120	STF1-24120	HTF1-24120	6	148
30" WIDE						
30	24	ETF1-3024	STF1-3024	HTF1-3024	4	45
30	30	ETF1-3030	STF1-3030	HTF1-3030	4	49
30	36	ETF1-3036	STF1-3036	HTF1-3036	4	52
30	48	ETF1-3048	STF1-3048	HTF1-3048	4	68
30	60	ETF1-3060	STF1-3060	HTF1-3060	4	79
30	72	ETF1-3072	STF1-3072	HTF1-3072	4	92
30	84	ETF1-3084	STF1-3084	HTF1-3084	6	105
30	96	ETF1-3096	STF1-3096	HTF1-3096	6	126
30	108	ETF1-30108	STF1-30108	HTF1-30108	6	146
30	120	ETF1-30120	STF1-30120	HTF1-30120	6	165
36" WIDE						
36	24	ETF1-3624	STF1-3624	HTF1-3624	4	47
36	30	ETF1-3630	STF1-3630	HTF1-3630	4	55
36	36	ETF1-3636	STF1-3636	HTF1-3636	4	64
36	48	ETF1-3648	STF1-3648	HTF1-3648	4	75
36	60	ETF1-3660	STF1-3660	HTF1-3660	4	88
36	72	ETF1-3672	STF1-3672	HTF1-3672	4	104
36	84	ETF1-3684	STF1-3684	HTF1-3684	6	120
36	96	ETF1-3696	STF1-3696	HTF1-3696	6	139
36	108	ETF1-36108	STF1-36108	HTF1-36108	6	164
36	120	ETF1-36120	STF1-36120	HTF1-36120	6	188